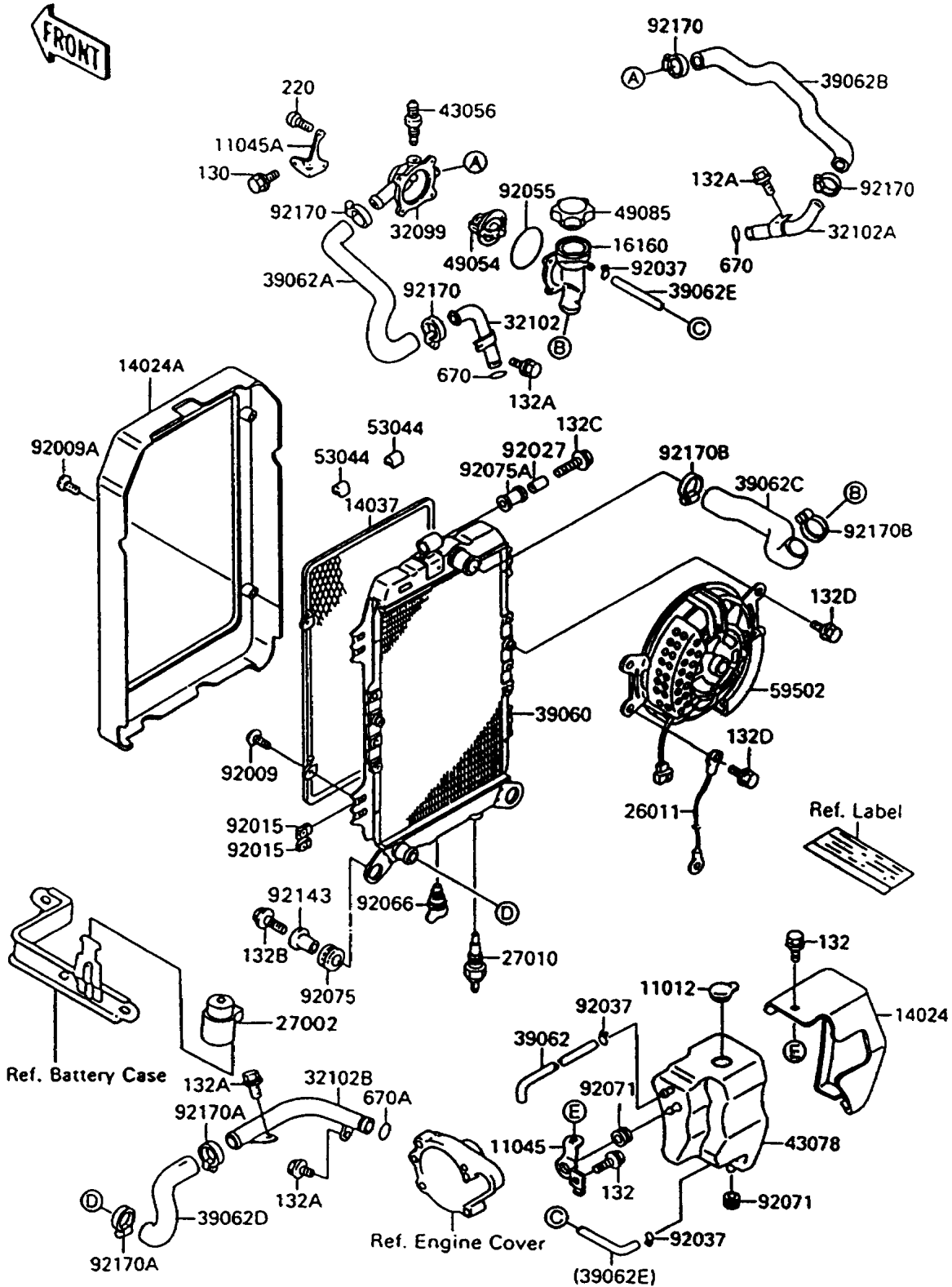


# 1997 Vulcan 1500 L PARTS DIAGRAM

Radiator

E3032



# 1997 Vulcan 1500 L PARTS LIST

## Radiator

| ITEM NAME                                   | PART NUMBER   | QUANTITY |
|---|---------------|----------|
| CAP (Ref # 11012)                           | 11012-1585    | 1        |
| BRACKET,RESERVOIR (Ref # 11045)             | 11045-1436    | 1        |
| BRACKET,THERMOSTAT (Ref # 11045A)           | 11045-1437    | 1        |
| COVER,RESERVOIR (Ref # 14024)               | 14024-1406    | 1        |
| COVER,RADIATOR,EBONY (Ref # 14024A)         | 14024-1429-H8 | 1        |
| SCREEN (Ref # 14037)                        | 14037-1090    | 1        |
| BODY,THERMOSTAT,UPP (Ref # 16160)           | 16160-1116    | 1        |
| WIRE-LEAD (Ref # 26011)                     | 26011-1412    | 1        |
| RELAY-ASSY (Ref # 27002)                    | 27002-1051    | 1        |
| SWITCH,FAN (Ref # 27010)                    | 27010-1167    | 1        |
| CASE,THERMOSTAT (Ref # 32099)               | 32099-1093    | 1        |
| PIPE,HEAD,FR (Ref # 32102)                  | 32102-1413    | 1        |
| PIPE,HEAD,RR (Ref # 32102A)                 | 32102-1414    | 1        |
| PIPE,PUMP COVER-HOSE (Ref # 32102B)         | 32102-1415    | 1        |
| RADIATOR (Ref # 39060)                      | 39060-1077    | 1        |
| HOSE-COOLING (Ref # 39062)                  | 39062-1125    | 1        |
| HOSE-COOLING,HEAD,FR (Ref # 39062A)         | 39062-1227    | 1        |
| HOSE-COOLING,HEAD,RR (Ref # 39062B)         | 39062-1228    | 1        |
| HOSE-COOLING,THERMO-RADIATOR (Ref # 39062C) | 39062-1229    | 1        |
| HOSE-COOLING,RADIATOR-PUMP (Ref # 39062D)   | 39062-1252    | 1        |
| HOSE-COOLING (Ref # 39062E)                 | 39062-1255    | 1        |
| BREATHER (Ref # 43056)                      | 43056-003     | 1        |
| RESERVOIR (Ref # 43078)                     | 43078-1085    | 1        |
| THERMOSTAT (Ref # 49054)                    | 49054-1051    | 1        |
| CAP-ASSY-PRESSURE (Ref # 49085)             | 49085-1067    | 1        |
| TRIM (Ref # 53044)                          | 53044-1199    | 4        |
| FAN-ASSY (Ref # 59502)                      | 59502-1071    | 1        |
| SCREW,TAPPING,6X16 (Ref # 92009)            | 92009-1436    | 4        |
| SCREW,TAPPING,6X30 (Ref # 92009A)           | 92009-1481    | 4        |

# 1997 Vulcan 1500 L PARTS LIST

## Radiator

| ITEM NAME                            | PART NUMBER | QUANTITY |
|--------------------------------------|-------------|----------|
| NUT,6MM (Ref # 92015)                | 92015-1758  | 8        |
| COLLAR (Ref # 92027)                 | 92027-209   | 1        |
| CLAMP,TUBE (Ref # 92037)             | 92037-147   | 3        |
| RING-O,53.5X2.6 (Ref # 92055)        | 92055-112   | 1        |
| PLUG,DRAIN (Ref # 92066)             | 92066-1293  | 1        |
| GROMMET (Ref # 92071)                | 92071-1115  | 2        |
| DAMPER (Ref # 92075)                 | 92075-1665  | 2        |
| DAMPER (Ref # 92075A)                | 92075-1920  | 1        |
| COLLAR (Ref # 92143)                 | 92143-1063  | 2        |
| CLAMP,COOLING HOSE (Ref # 92170)     | 92170-1032  | 4        |
| CLAMP,COOLING HOSE (Ref # 92170A)    | 92170-1034  | 2        |
| BOLT-FLANGED,6X12 (Ref # 130)        | 130B0612    | 2        |
| BOLT-FLANGED-SMALL (Ref # 132)       | 132E0610    | 2        |
| BOLT-FLANGED-SMALL (Ref # 132A)      | 132E0612    | 4        |
| BOLT-FLANGED-SMALL (Ref # 132B)      | 132E0625    | 2        |
| BOLT-FLANGED-SMALL (Ref # 132C)      | 132E0640    | 1        |
| BOLT-FLANGED-SMALL,6X10 (Ref # 132D) | 132J0610    | 4        |
| SCREW-PAN-CROS,5X14 (Ref # 220)      | 220D0514    | 4        |
| O RING,14MM (Ref # 670)              | 670B2014    | 2        |
| O RING,18MM (Ref # 670A)             | 670B2018    | 1        |
| CLAMP,COOLING HOSE (Ref # 92170B)    | 92170-1284  | 2        |