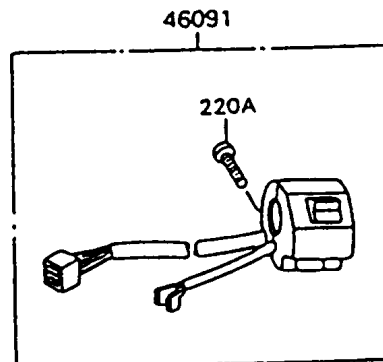
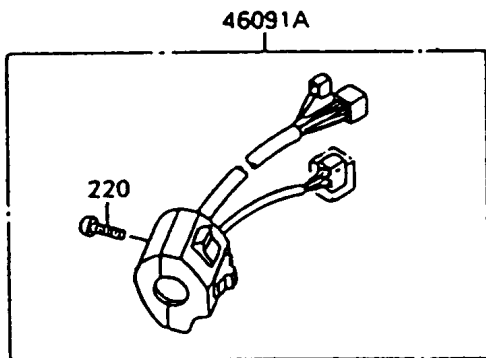
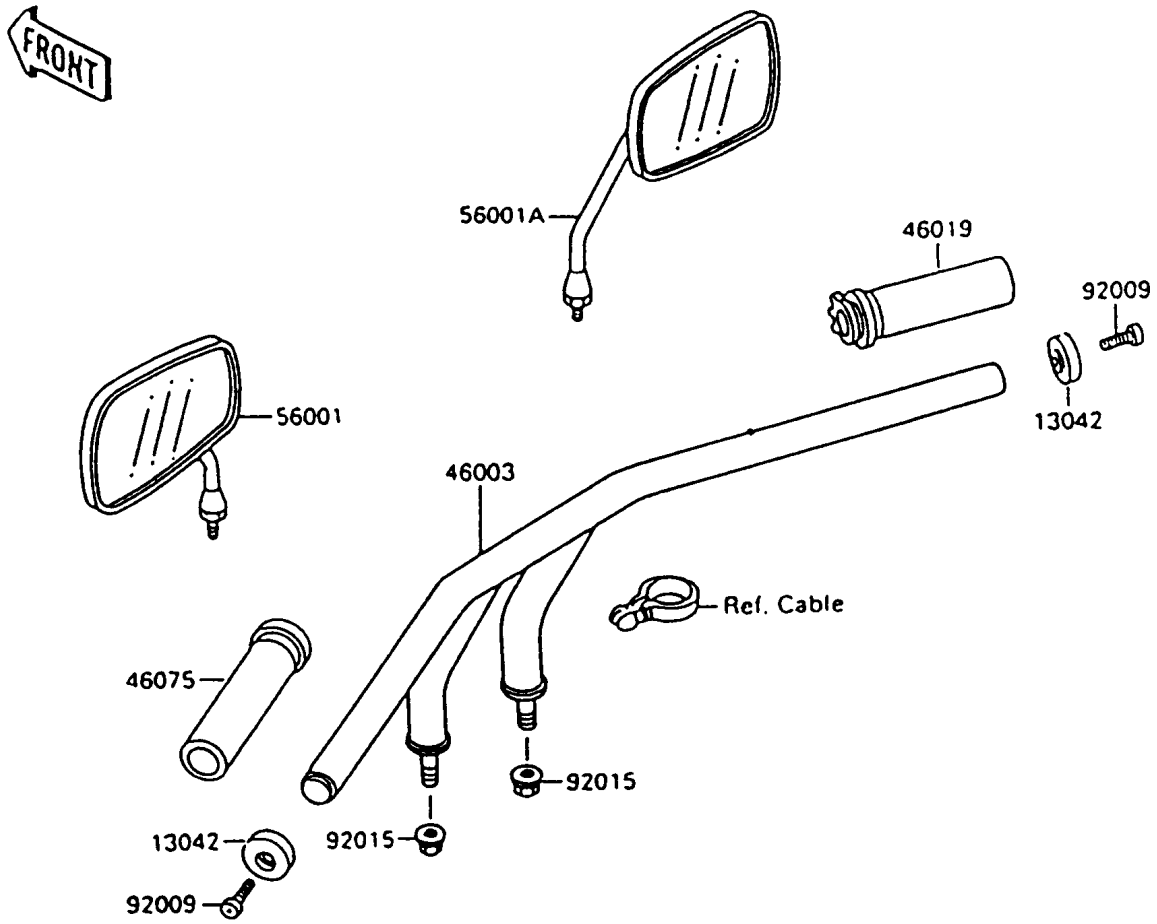


# 1997 Vulcan 1500 L PARTS DIAGRAM

Handlebar

r2310



# 1997 Vulcan 1500 L PARTS LIST

## Handlebar

ITEM NAME	PART NUMBER	QUANTITY
SCREW-PAN-CROS,5X14 (Ref # 220)	220E0514	2
SCREW-PAN-CROS (Ref # 220A)	220E0516	2
WEIGHT,HANDLE (Ref # 13042)	13042-1068	2
HANDLE (Ref # 46003)	46003-1445	1
GRIP-ASSY,THROTTLE (Ref # 46019)	46019-1065	1
GRIP,LH (Ref # 46075)	46075-1074	1
HOUSING-ASSY-CONTROL,RH (Ref # 46091)	46091-1448	1
HOUSING-ASSY-CONTROL,LH (Ref # 46091A)	46091-1449	1
MIRROR-ASSY,LH (Ref # 56001)	56001-1451	1
MIRROR-ASSY,RH (Ref # 56001A)	56001-1452	1
SCREW,8X20 (Ref # 92009)	92009-1484	2
NUT,LOCK,FLANGED,10MM (Ref # 92015)	92015-1717	2