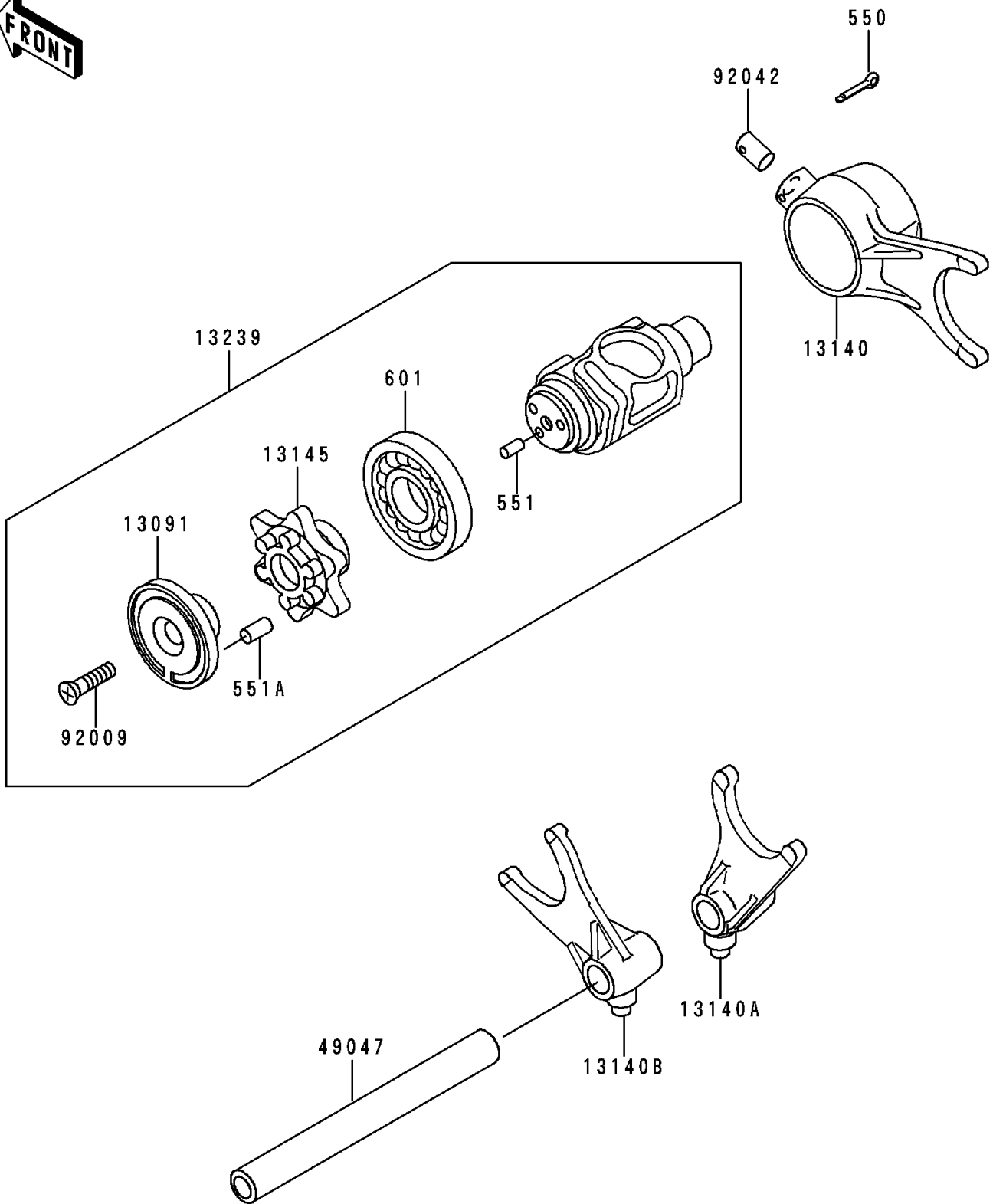


1998 Vulcan 1500 Classic PARTS DIAGRAM

Gear Change Drum/Shift Fork(s)

E1362



1998 Vulcan 1500 Classic PARTS LIST

Gear Change Drum/Shift Fork(s)

ITEM NAME	PART NUMBER	QUANTITY
PIN-COTTER,3.0X20 (Ref # 550)	550D3020	1
PIN-DOWEL,4X8 (Ref # 551)	551A0408	1
PIN-DOWEL (Ref # 551A)	551A0412	1
BEARING-BALL (Ref # 601)	601A6005	1
HOLDER,CHANGE DRUM PIN (Ref # 13091)	13091-1104	1
FORK-SHIFT,INPUT 3RD (Ref # 13140)	13140-1268	1
FORK-SHIFT,OUTPUT 4TH (Ref # 13140A)	13140-1269	1
FORK-SHIFT,OUTPUT TOP (Ref # 13140B)	13140-1270	1
CAM-CHANGE DRUM (Ref # 13145)	13145-1089	1
DRUM-ASSY-CHANGE (Ref # 13239)	13239-1202	1
ROD-SHIFT,IN (Ref # 49047)	49047-1095	1
SCREW,6X45 (Ref # 92009)	92009-1599	1
PIN,DOWEL,8X18 (Ref # 92042)	92042-021	1