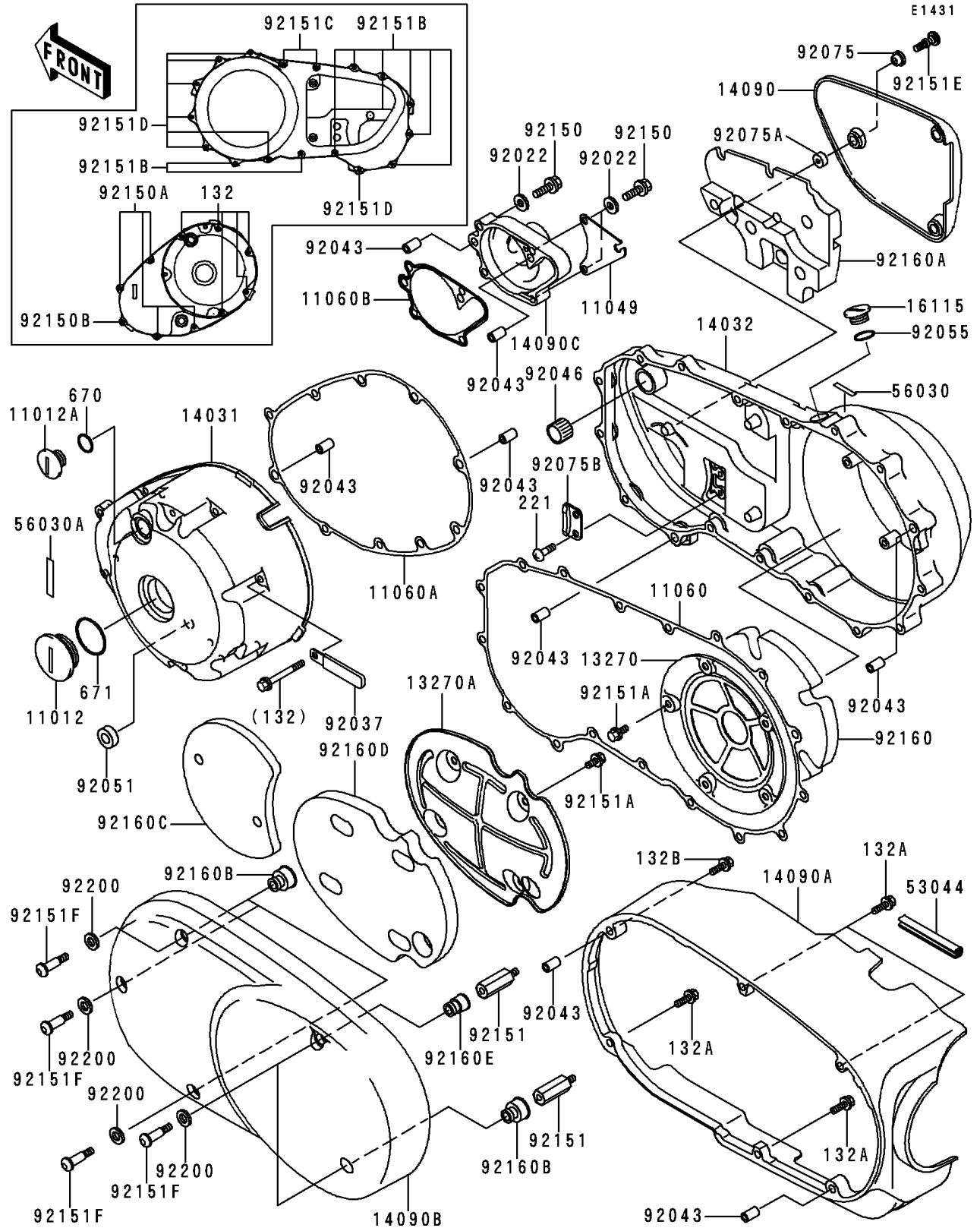


1998 Vulcan 1500 Classic PARTS DIAGRAM

Engine Cover(s)



1998 Vulcan 1500 Classic PARTS LIST

Engine Cover(s)

ITEM NAME	PART NUMBER	QUANTITY
CAP (Ref # 11012)	11012-1362	1
CAP, TOP MARK (Ref # 11012A)	11012-1363	1
BRACKET (Ref # 11049)	11049-1789	1
GASKET, CLUTCH COVER (Ref # 11060)	11060-1121	1
GASKET, GENERATOR (Ref # 11060A)	11060-1122	1
GASKET, WATER PUMP COVER (Ref # 11060B)	11060-1124	1
PLATE (Ref # 13270)	13270-1592	1
PLATE (Ref # 13270A)	13270-1593	1
COVER-GENERATOR (Ref # 14031)	14031-1352	1
COVER-CLUTCH (Ref # 14032)	14032-1435	1
COVER, CLUTCH OUTER (Ref # 14090)	14090-1678	1
COVER, LH, INNER (Ref # 14090A)	14090-1810	1
COVER, LH, OUTER (Ref # 14090B)	14090-1883	1
COVER, WATER PUMP (Ref # 14090C)	14090-1932	1
CAP-OIL FILLER (Ref # 16115)	16115-1063	1
TRIM, L=100 (Ref # 53044)	53044-1200	1
LABEL, OIL CAPACITY (Ref # 56030)	56030-1184	1
LABEL, CHANGE SHIFT (Ref # 56030A)	56030-1194	1
WASHER, 6.1X12X1 (Ref # 92022)	92022-077	4
CLAMP (Ref # 92037)	92037-1993	1
PIN, 6.2X8X14 (Ref # 92043)	92043-1263	8
BEARING-NEEDLE, HK1212 (Ref # 92046)	92046-1163	1
SEAL-OIL, TB13225.5 (Ref # 92051)	92051-005	1
RING-O, 31.5X2.6 (Ref # 92055)	92055-049	1
DAMPER (Ref # 92075)	92075-1855	3
DAMPER (Ref # 92075A)	92075-1856	3
DAMPER (Ref # 92075B)	92075-1905	1
BOLT, 6X30 (Ref # 92150)	92150-1021	4
BOLT, 6X25 (Ref # 92150A)	92150-1779	4

1998 Vulcan 1500 Classic PARTS LIST

Engine Cover(s)

ITEM NAME	PART NUMBER	QUANTITY
BOLT,6X35 (Ref # 92150B)	92150-1967	1
BOLT (Ref # 92151)	92151-1062	2
BOLT,6X10 (Ref # 92151A)	92151-1064	9
BOLT,6X25 (Ref # 92151B)	92151-1130	8
BOLT,6X30 (Ref # 92151C)	92151-1134	2
BOLT,6X35 (Ref # 92151D)	92151-1135	7
BOLT,L=22.5 (Ref # 92151E)	92151-1273	3
BOLT,L=31 (Ref # 92151F)	92151-1274	5
DAMPER (Ref # 92160)	92160-1716	1
DAMPER (Ref # 92160A)	92160-1717	1
DAMPER (Ref # 92160B)	92160-1718	4
BOLT-FLANGED-SMALL (Ref # 132)	132J0665	5
BOLT-FLANGED-SMALL (Ref # 132A)	132V0620	4
BOLT-FLANGED-SMALL (Ref # 132B)	132V0630	2
SCREW-CSK-CROS,6X12 (Ref # 221)	221B0612	2
O RING,18MM (Ref # 670)	670B2018	1
O RING,40MM (Ref # 671)	671B2540	1
DAMPER (Ref # 92160C)	92160-1719	1
DAMPER (Ref # 92160D)	92160-1720	1
DAMPER (Ref # 92160E)	92160-1730	1
WASHER (Ref # 92200)	92200-1296	5