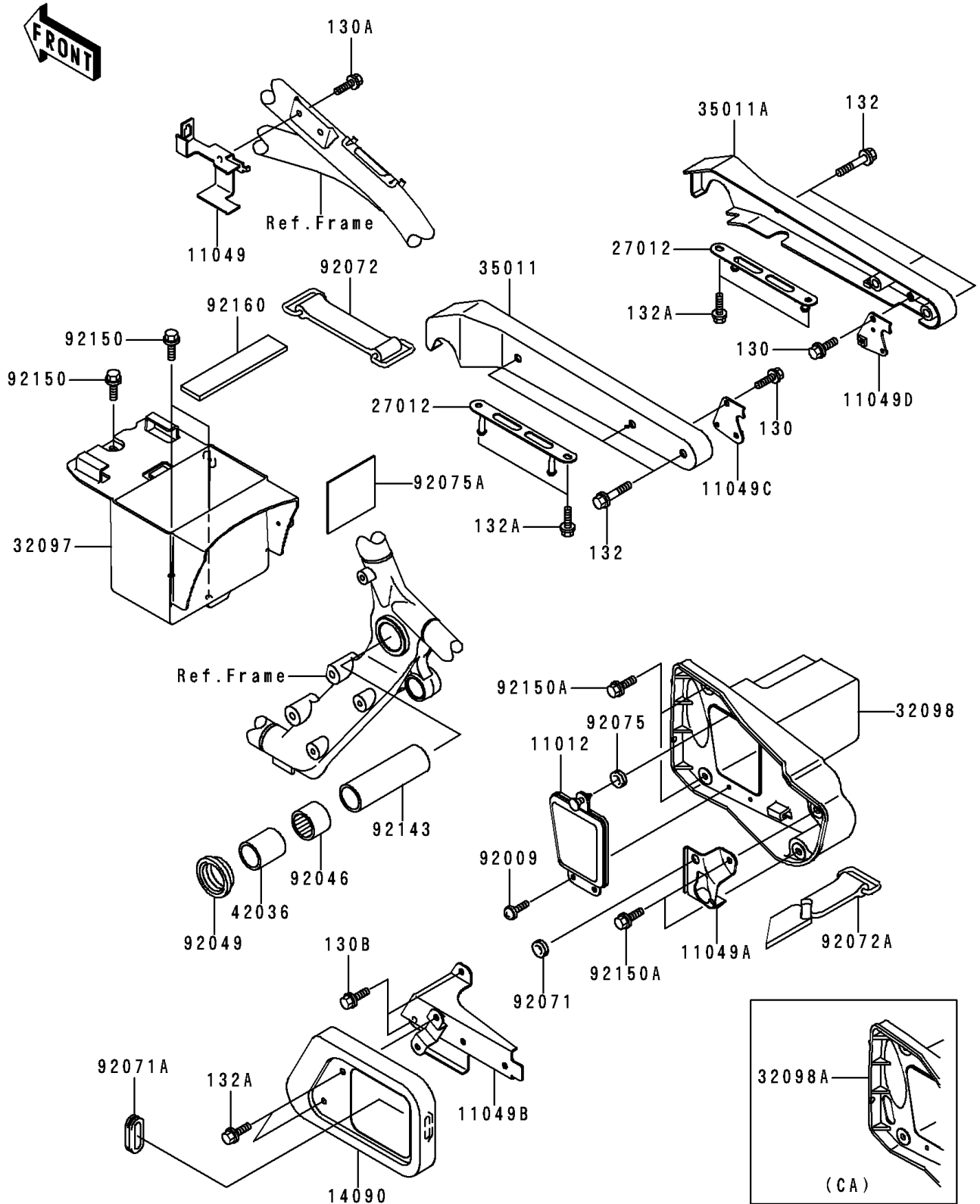


1998 Vulcan 1500 Classic PARTS DIAGRAM

Battery Case

F2132



1998 Vulcan 1500 Classic PARTS LIST

Battery Case

ITEM NAME	PART NUMBER	QUANTITY
-----------	-------------	----------