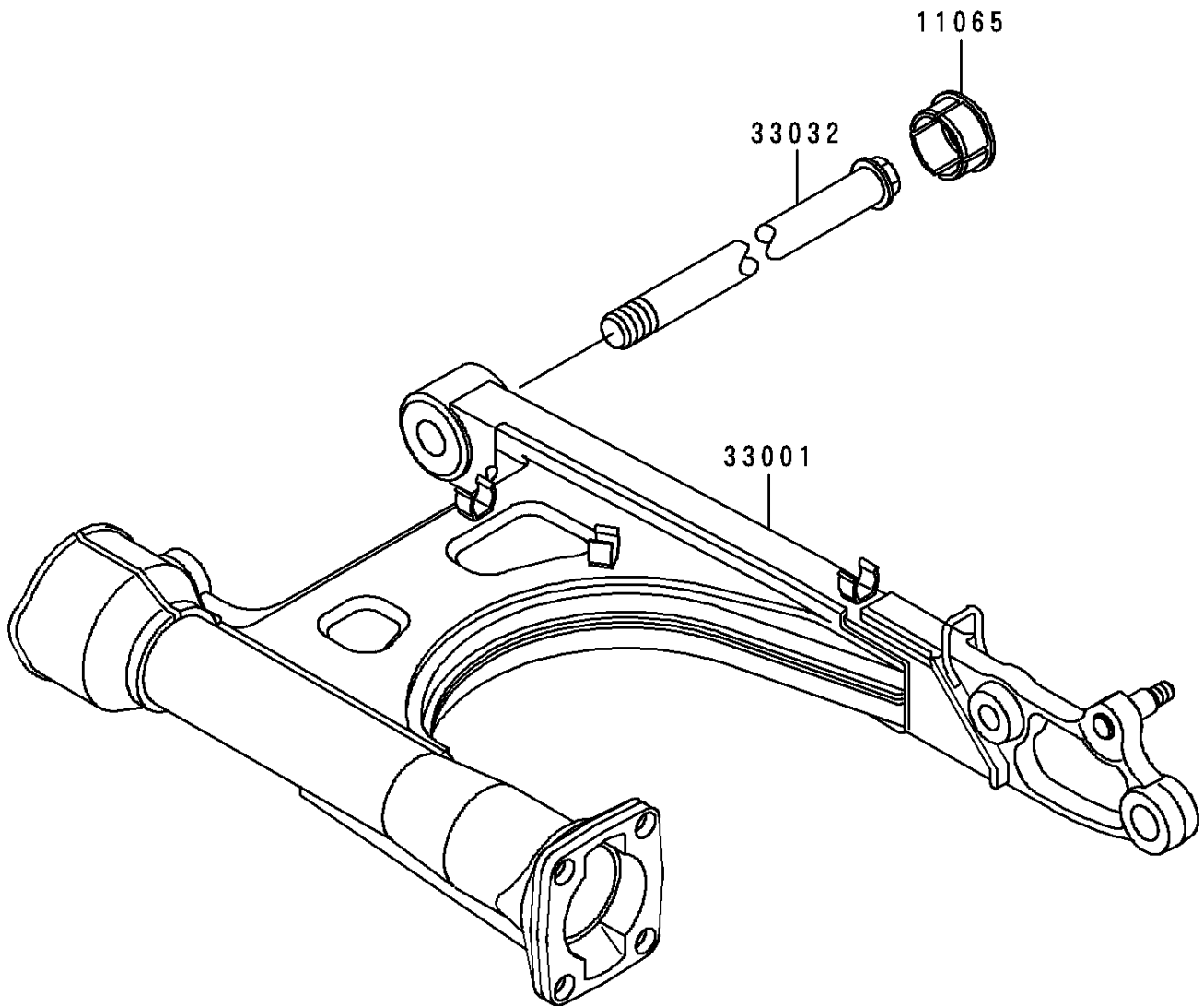


# 1998 Vulcan 1500 Classic PARTS DIAGRAM

Swingarm

F2141



# 1998 Vulcan 1500 Classic PARTS LIST

## Swingarm

ITEM NAME	PART NUMBER	QUANTITY
ARM-COMP-SWING (Ref # 33001)	33001-1501	1
SHAFT-SWING ARM (Ref # 33032)	33032-1181	1
CAP,SWING ARM (Ref # 11012)	11012-1688	1