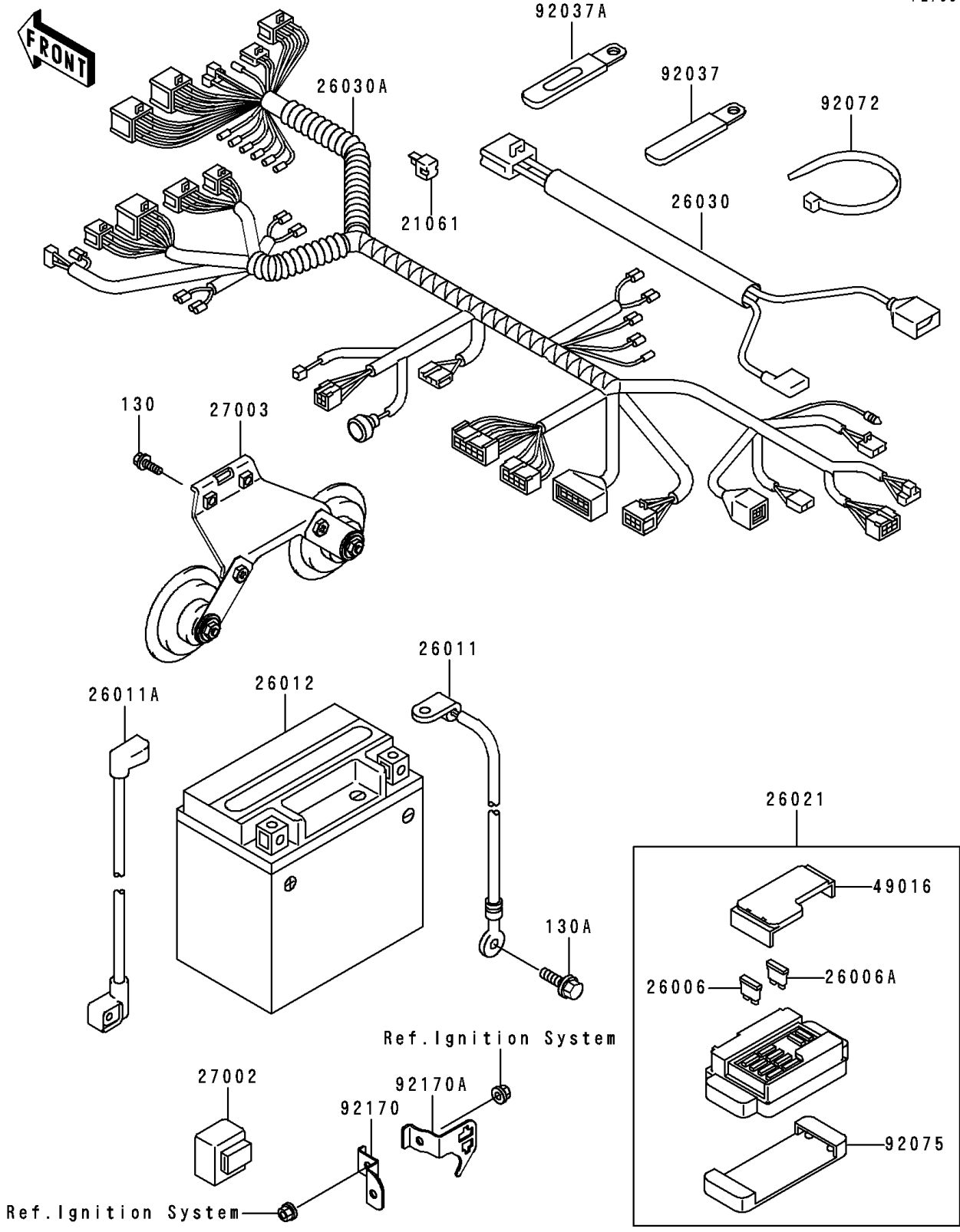


1998 Vulcan 1500 Classic PARTS DIAGRAM

Chassis Electrical Equipment

F2760



1998 Vulcan 1500 Classic PARTS LIST

Chassis Electrical Equipment

ITEM NAME	PART NUMBER	QUANTITY
-----------	-------------	----------