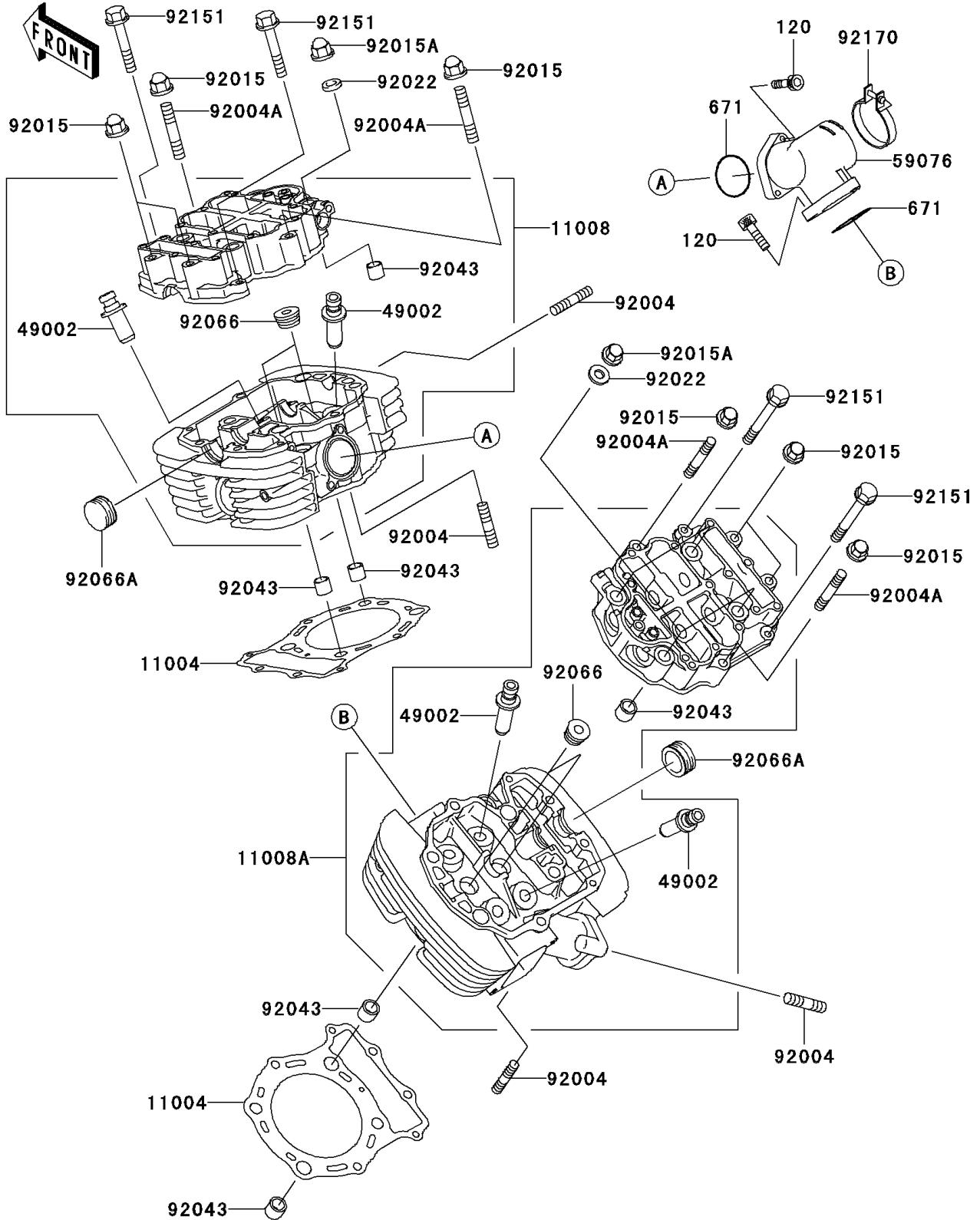


2000 Vulcan 1500 Classic PARTS DIAGRAM

Cylinder Head

E1111



2000 Vulcan 1500 Classic PARTS LIST

Cylinder Head

ITEM NAME	PART NUMBER	QUANTITY
-----------	-------------	----------