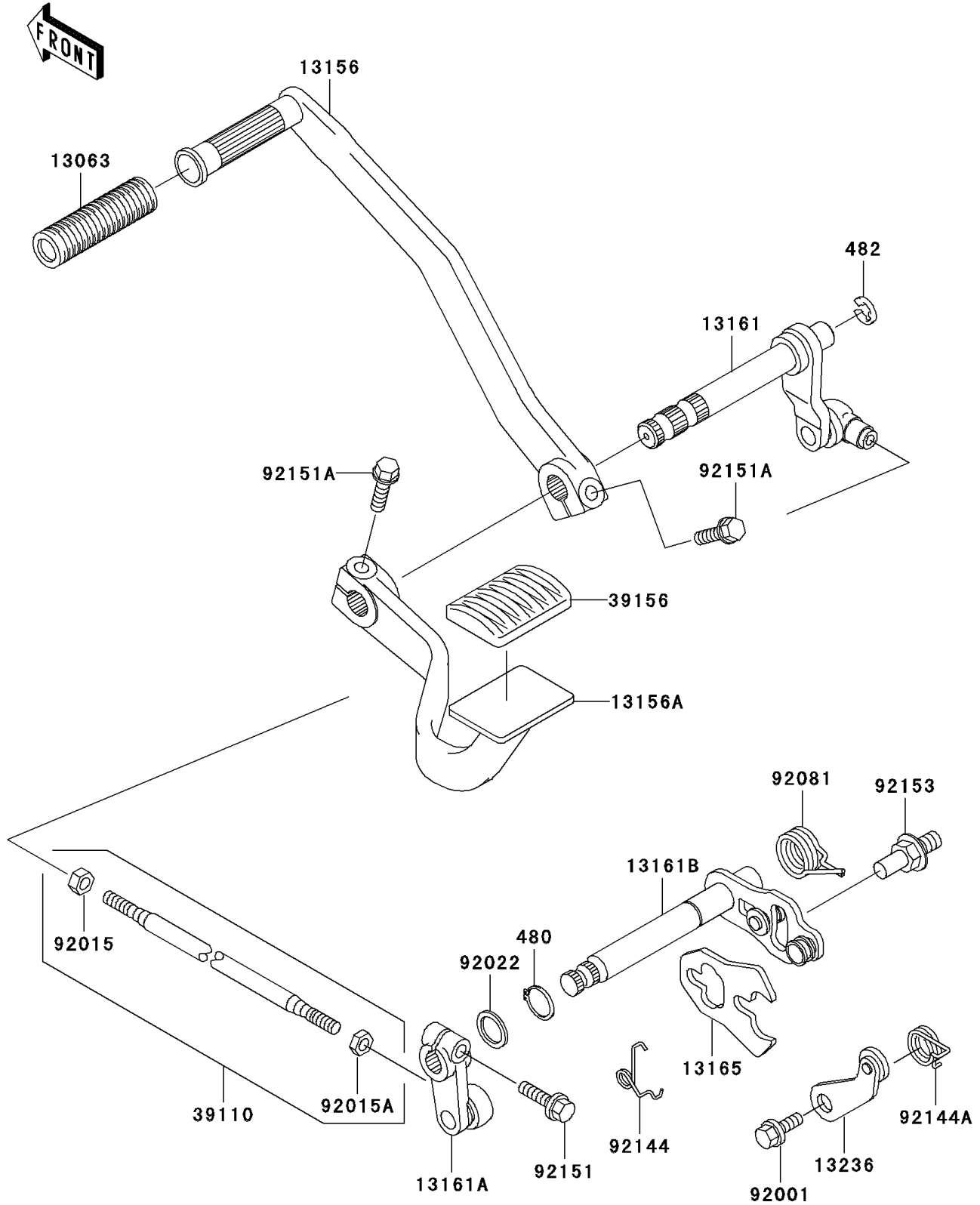


# 2000 Vulcan 1500 Classic PARTS DIAGRAM

Gear Change Mechanism

E1370



## 2000 Vulcan 1500 Classic PARTS LIST

### Gear Change Mechanism

| ITEM NAME                                | PART NUMBER | QUANTITY |
|--|-------------|----------|
| CIRCLIP-TYPE-C,13MM (Ref # 480)          | 480J1300    | 1        |
| CIRCLIP-TYPE-E,10MM (Ref # 482)          | 482L0100    | 1        |
| DAMPER,PEDAL (Ref # 13063)               | 13063-002   | 1        |
| LEVER-CHANGE,PEDAL,FR (Ref # 13156)      | 13156-1419  | 1        |
| LEVER-CHANGE,PEDAL,RR (Ref # 13156A)     | 13156-1420  | 1        |
| LEVER-COMP-CHANGE SHAFT,FR (Ref # 13161) | 13161-1250  | 1        |
| LEVER-COMP-CHANGE SHAFT (Ref # 13161A)   | 13161-1253  | 1        |
| LEVER-COMP-CHANGE SHAFT (Ref # 13161B)   | 13161-1254  | 1        |
| PAWL (Ref # 13165)                       | 13165-1120  | 1        |
| LEVER-COMP,POSITION (Ref # 13236)        | 13236-1126  | 1        |
| ROD-ASSY-TIE (Ref # 39110)               | 39110-1119  | 1        |
| PAD,BRAKE PEDAL (Ref # 39156)            | 39156-1071  | 1        |
| BOLT,GEAR CHANGE LEVER (Ref # 92001)     | 92001-1715  | 1        |
| NUT,6MM (Ref # 92015)                    | 92015-1443  | 1        |
| NUT,LEFT HANDED,6MM (Ref # 92015A)       | 92015-1444  | 1        |
| WASHER,13.2X20X0.5 (Ref # 92022)         | 92022-1224  | 1        |
| SPRING,CHANGE PEDAL RETURN (Ref # 92081) | 92081-1869  | 1        |
| SPRING (Ref # 92144)                     | 92144-1029  | 1        |
| SPRING,RETURN (Ref # 92144A)             | 92144-1140  | 1        |
| BOLT,6X20 (Ref # 92151)                  | 92151-1226  | 1        |
| BOLT,6X25 (Ref # 92151A)                 | 92151-1898  | 2        |
| BOLT (Ref # 92153)                       | 92153-1076  | 1        |