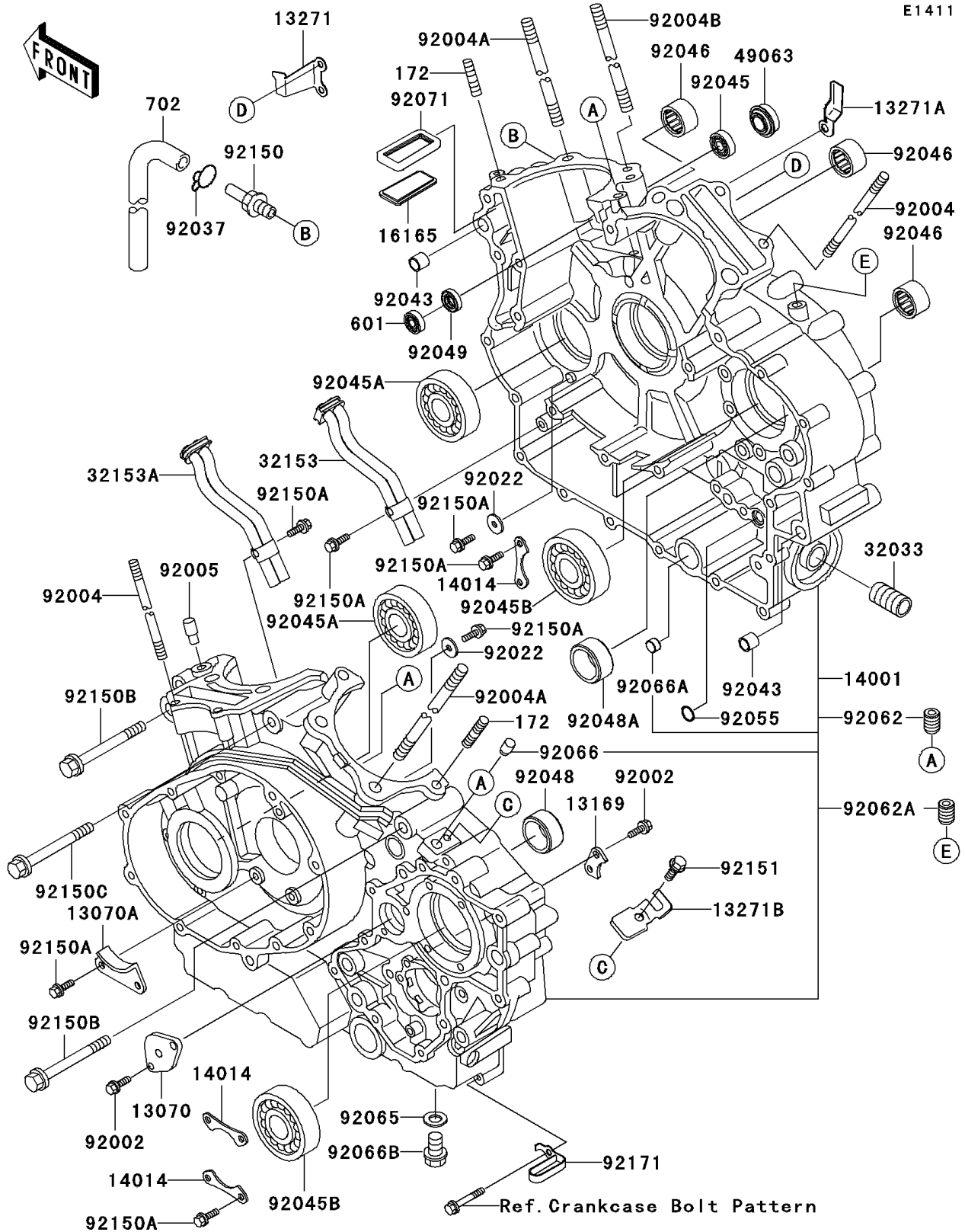


2000 Vulcan 1500 Classic PARTS DIAGRAM

Crankcase(VN1500-E2-E4)

E1411



2000 Vulcan 1500 Classic PARTS LIST

Crankcase(VN1500-E2-E4)

ITEM NAME	PART NUMBER	QUANTITY
-----------	-------------	----------