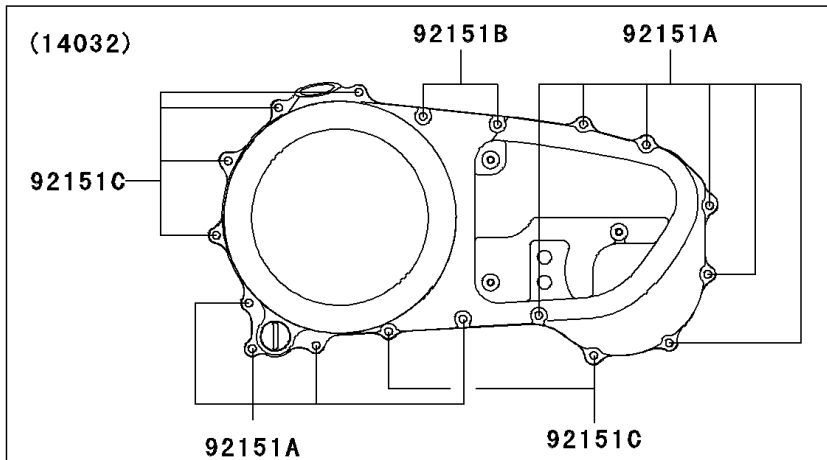
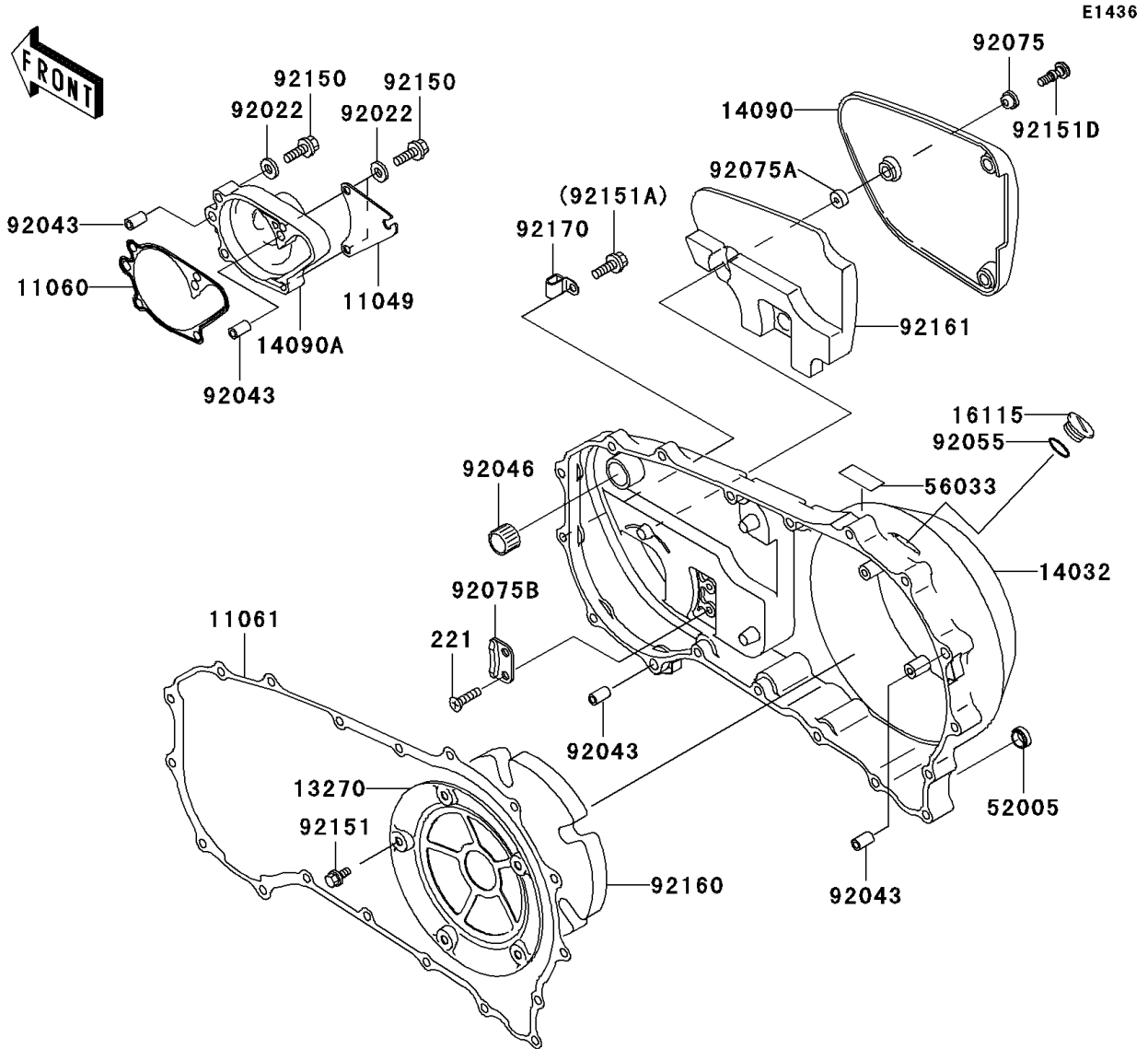


# 2000 Vulcan 1500 Classic PARTS DIAGRAM

Right Engine Cover(s)



# 2000 Vulcan 1500 Classic PARTS LIST

Right Engine Cover(s)

ITEM NAME	PART NUMBER	QUANTITY
-----------	-------------	----------