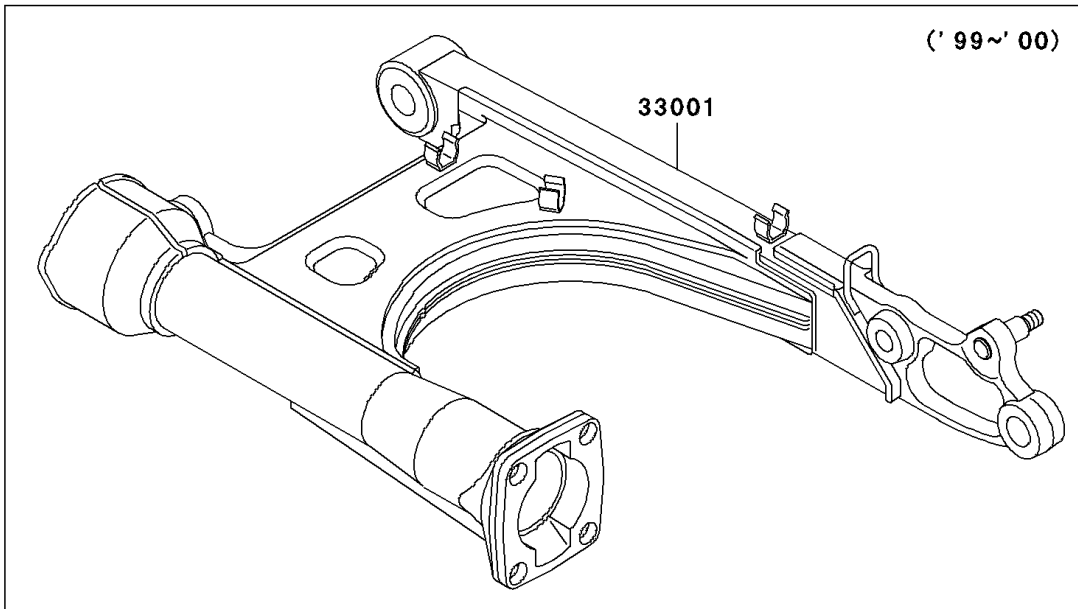
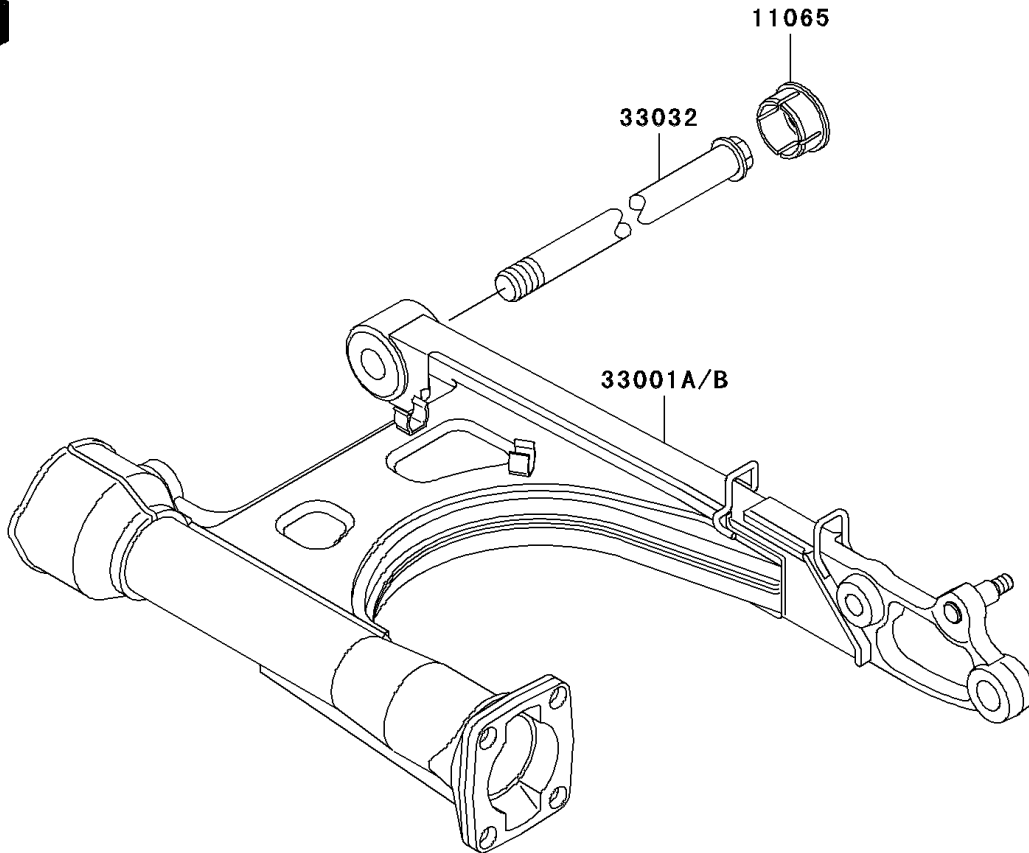


1999 Vulcan 1500 Classic PARTS DIAGRAM

Swingarm

F2141



1999 Vulcan 1500 Classic PARTS LIST

Swingarm

ITEM NAME	PART NUMBER	QUANTITY
CAP,SWING ARM (Ref # 11065)	11065-1099	1
ARM-COMP-SWING (Ref # 33001)	33001-1501	1
SHAFT-SWING ARM (Ref # 33032)	33032-1181	1