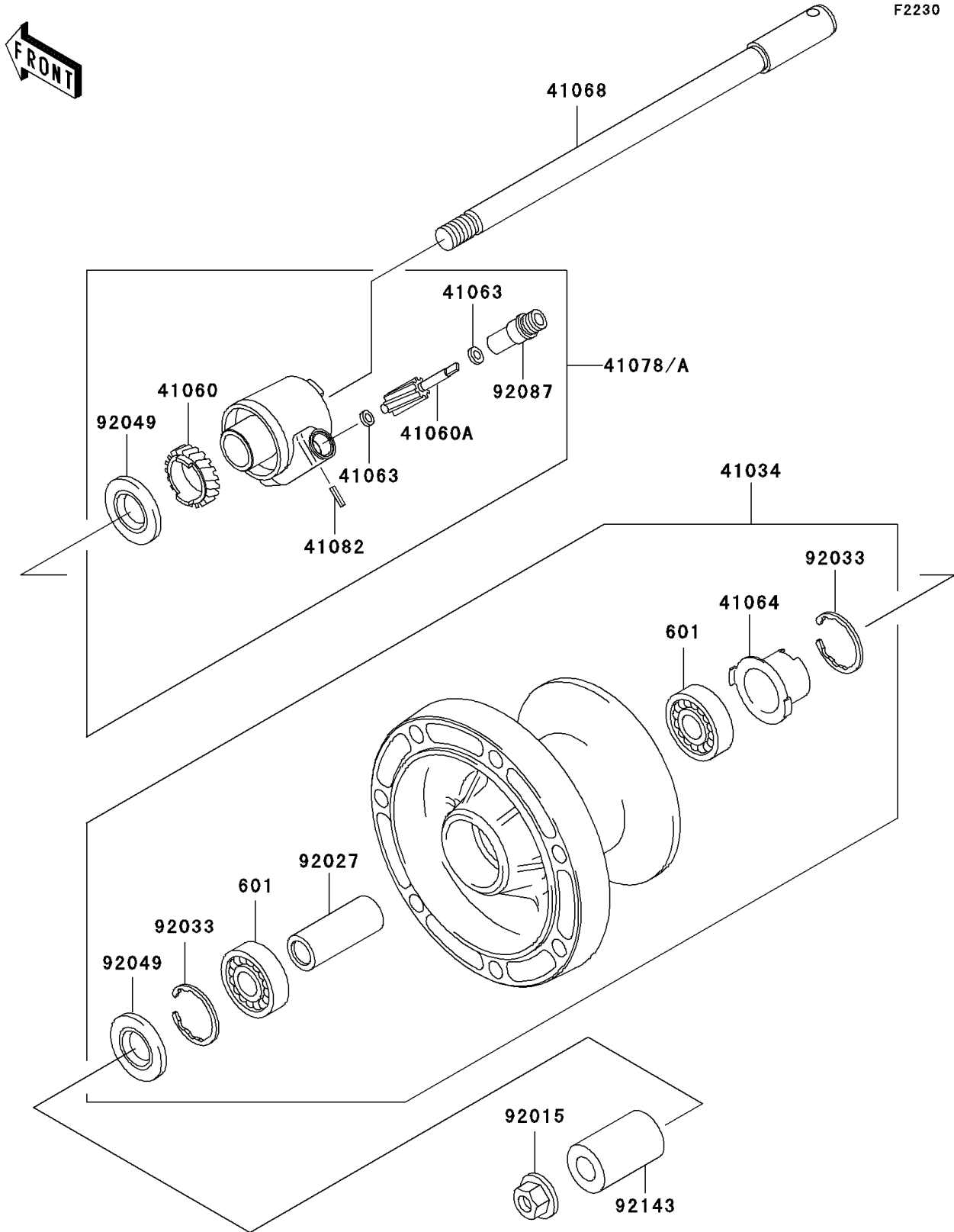


1999 Vulcan 1500 Classic PARTS DIAGRAM

Front Wheel

F2230



1999 Vulcan 1500 Classic PARTS LIST

Front Wheel

ITEM NAME	PART NUMBER	QUANTITY
BEARING-BALL,#6004UUC3 (Ref # 601)	601B6004UU	2
DRUM-ASSY,FRONT BRAKE (Ref # 41034)	41034-1259	1
GEAR-METER SCREW,25T (Ref # 41060)	41060-1160	1
GEAR-METER SCREW,9T (Ref # 41060A)	41060-1161	1
WASHER,5.1X9X0.4 (Ref # 41063)	41063-001	2
RECEIVER-SPEEDOMETER (Ref # 41064)	41064-1056	1
AXLE,FR (Ref # 41068)	41068-1378	1
CASE-ASSY-METER GEAR (Ref # 41078)	41078-1103	1
PIN,SPRING (Ref # 41082)	41082-001	1
NUT,FLANGED,18MM (Ref # 92015)	92015-1993	1
COLLAR,20.2X28X70 (Ref # 92027)	92027-1752	1
RING-SNAP,42MM (Ref # 92033)	92033-1041	2
SEAL-OIL,BJN30427-C3 (Ref # 92049)	92049-1057	2
BUSHING-METER GEAR (Ref # 92087)	92087-1056	1
COLLAR,FR AXLE,LH,L=48.5 (Ref # 92143)	92143-1837	1