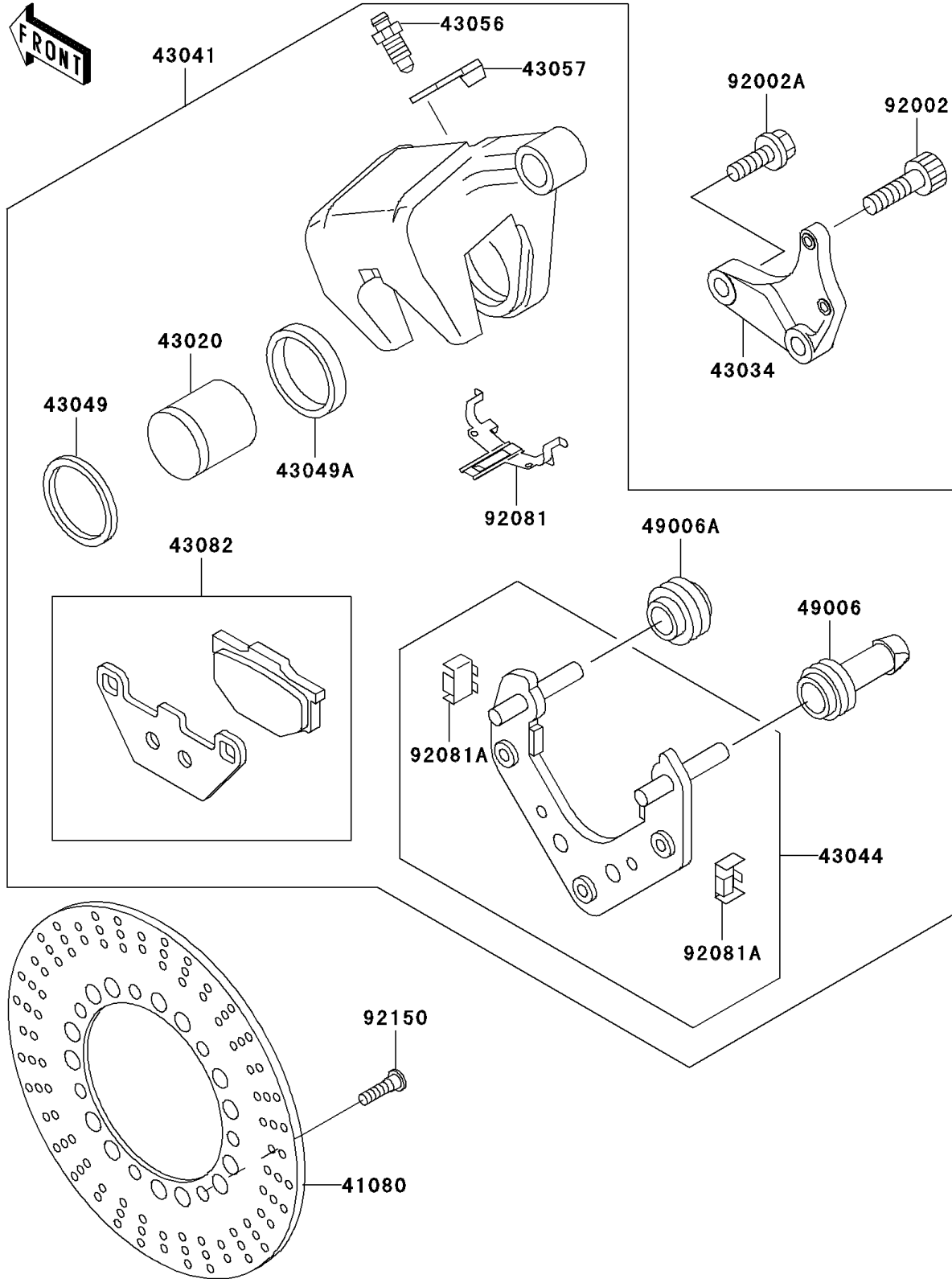


2000 Vulcan 1500 Classic PARTS DIAGRAM

Rear Brake(VN1500-E2/E3)

F2294



2000 Vulcan 1500 Classic PARTS LIST

Rear Brake(VN1500-E2/E3)

ITEM NAME	PART NUMBER	QUANTITY
-----------	-------------	----------