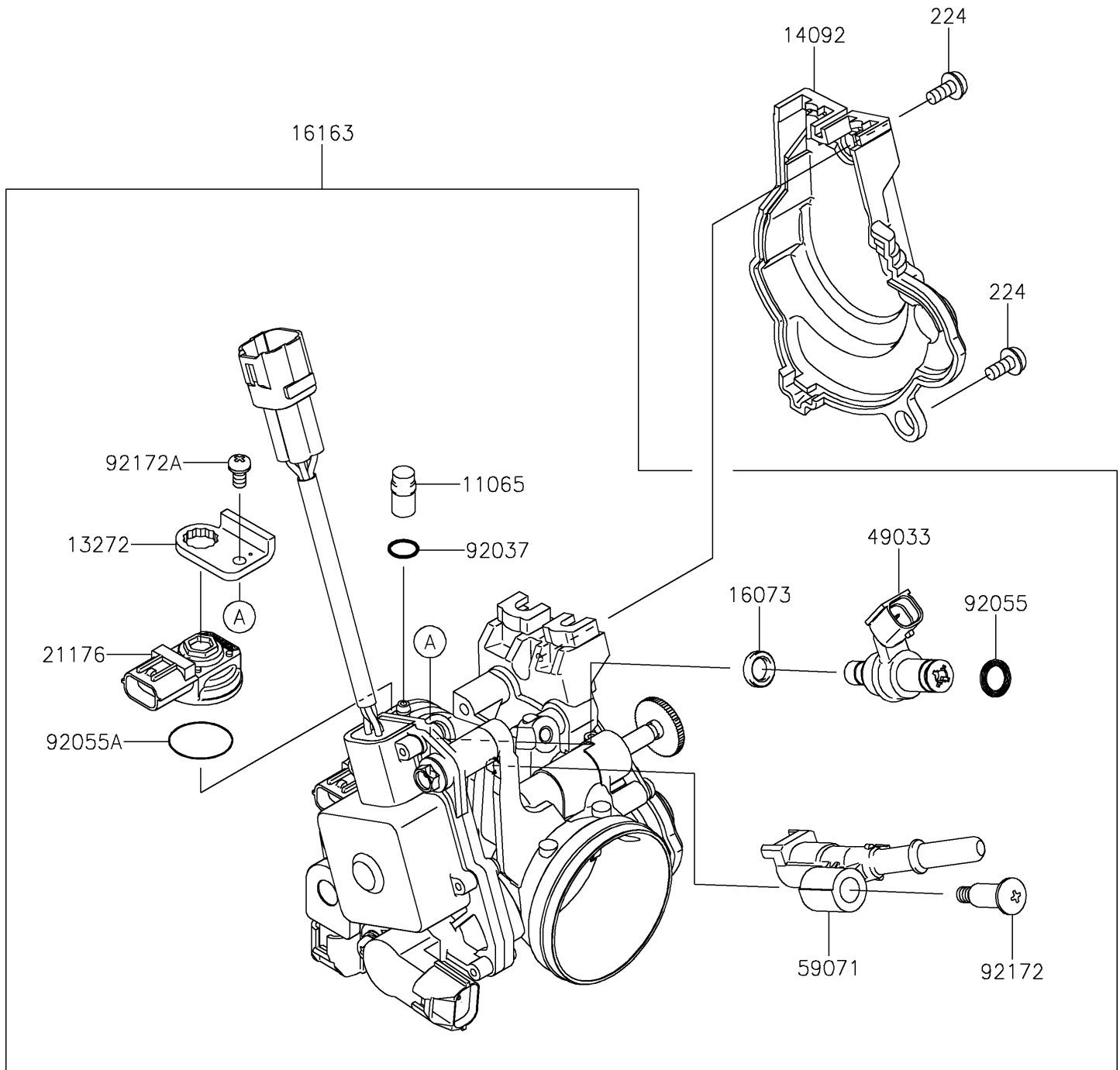


2019 KLX® 250 PARTS DIAGRAM

Throttle

E1510



2019 KLX® 250 PARTS LIST

Throttle

ITEM NAME	PART NUMBER	QUANTITY
CAP (Ref # 11065)	11065-0018	1
PLATE (Ref # 13272)	13272-0676	1
COVER (Ref # 14092)	14092-0887	1
INSULATOR (Ref # 16073)	16073-0077	1
THROTTLE-ASSY (Ref # 16163)	16163-0724	1
SENSOR (Ref # 21176)	21176-0122	1
NOZZLE-INJECTION (Ref # 49033)	49033-0016	1
JOINT (Ref # 59071)	59071-0063	1
CLAMP,TUBE (Ref # 92037)	92037-1142	1
RING-O (Ref # 92055)	92055-0170	1
RING-O (Ref # 92055A)	92055-0184	1
SCREW,PIPE INJECTION (Ref # 92172)	92172-0064	1
SCREW (Ref # 92172A)	92172-0415	1
SCREW-PAN-WP-CROS,5X10 (Ref # 224)	224AB0510	2