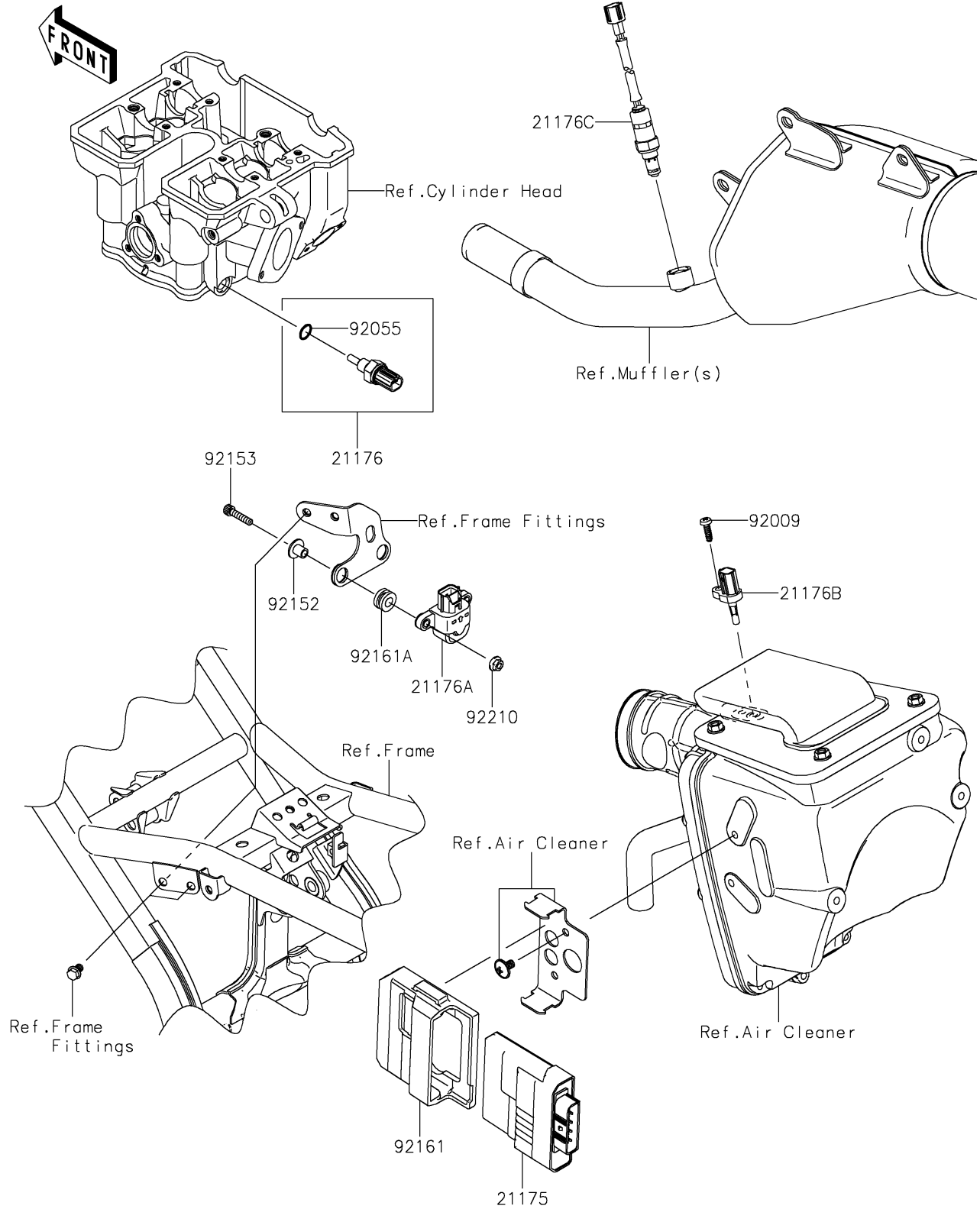


2019 KLX® 250 CAMO PARTS DIAGRAM

Fuel Injection

E1530



2019 KLX® 250 CAMO PARTS LIST

Fuel Injection

ITEM NAME	PART NUMBER	QUANTITY
CONTROL UNIT-ELECTRONIC (Ref # 21175)	21175-1294	1
SENSOR,WATER TEMP (Ref # 21176)	21176-0009	1
SENSOR,VEHICLE-DOWN (Ref # 21176A)	21176-0026	1
SENSOR,AIR TEMPERATURE (Ref # 21176B)	21176-0048	1
SENSOR,OXYGEN (Ref # 21176C)	21176-0094	1
SCREW,TAPPING,5X16 (Ref # 92009)	92009-1984	1
RING-O,9.5X1.9 (Ref # 92055)	92055-0016	1
COLLAR (Ref # 92152)	92152-0134	2
BOLT,SOCKET,5X22 (Ref # 92153)	92153-1597	2
DAMPER,ECU (Ref # 92161)	92161-0462	1
DAMPER,8X16X8.6 (Ref # 92161A)	92161-0685	2
NUT,FLANGED,5MM (Ref # 92210)	92210-0007	2