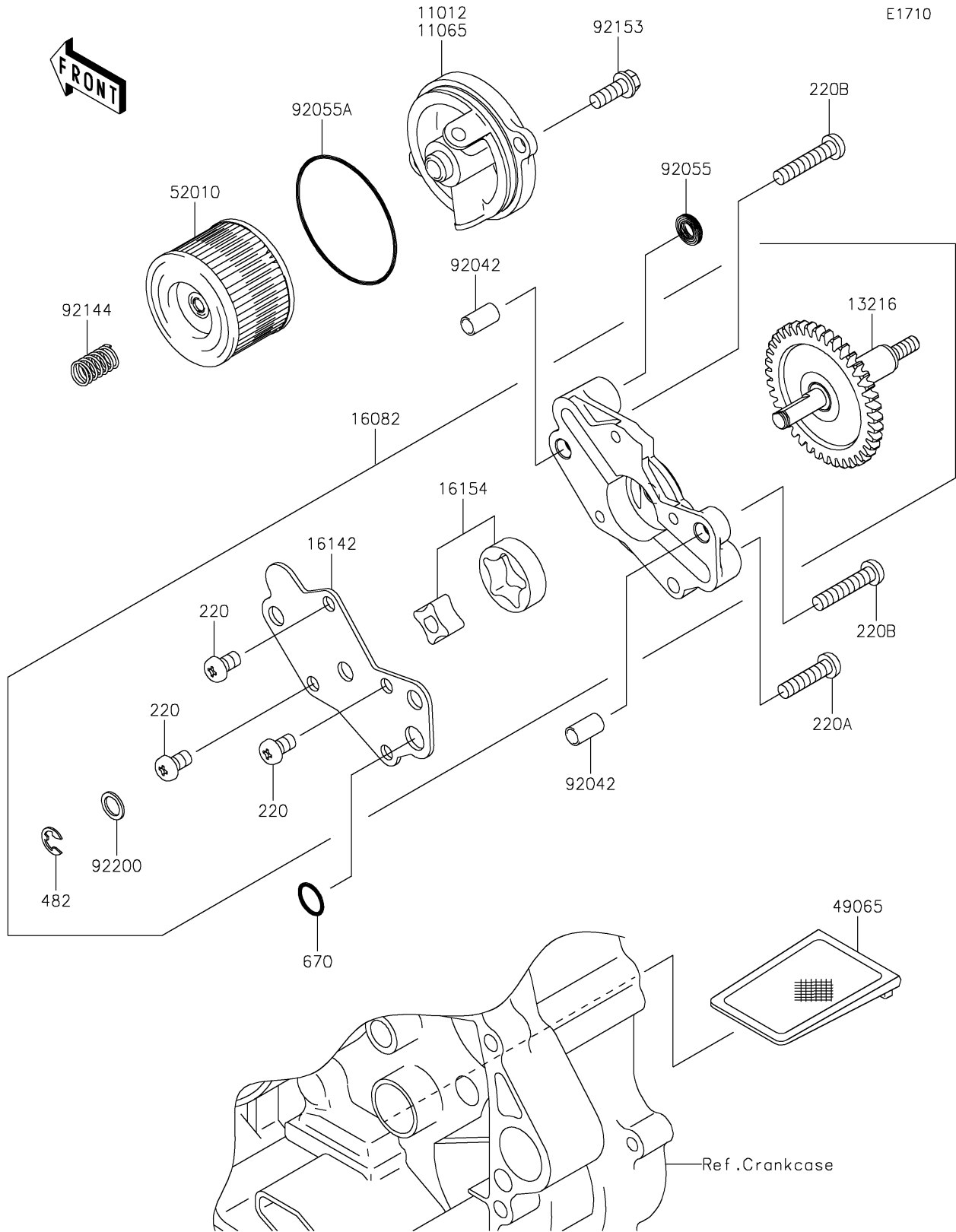


2019 KLX® 250 CAMO PARTS DIAGRAM

Oil Pump



2019 KLX® 250 CAMO PARTS LIST

Oil Pump

| ITEM NAME | PART NUMBER | QUANTITY |
|----------------------------------|-------------|----------|
| CAP,OIL FILTER (Ref # 11065) | 11065-0343 | 1 |
| GEAR-COMP,OIL PUMP (Ref # 13216) | 13216-0878 | 1 |
| PUMP-ASSY-OIL (Ref # 16082) | 16082-0727 | 1 |
| COVER-PUMP (Ref # 16142) | 16142-0713 | 1 |
| ROTOR-PUMP (Ref # 16154) | 16154-0714 | 1 |
| FILTER-OIL (Ref # 49065) | 49065-1058 | 1 |
| ELEMENT-OIL FILTER (Ref # 52010) | 52010-1053 | 1 |
| PIN,DOWEL,6.3X8X14 (Ref # 92042) | 92042-007 | 2 |
| RING-O,OD=13 (Ref # 92055) | 92055-074 | 1 |
| RING-O,52.6X2.4 (Ref # 92055A) | 92055-1577 | 1 |
| SPRING (Ref # 92144) | 92144-1761 | 1 |
| BOLT,6X16 (Ref # 92153) | 92153-0695 | 2 |
| WASHER,8.5X12X1 (Ref # 92200) | 92200-0890 | 1 |
| SCREW-PAN-CROS,6X10 (Ref # 220) | 220AA0610 | 3 |
| SCREW-PAN-CROS,6X25 (Ref # 220A) | 220AA0625 | 1 |
| SCREW-PAN-CROS,6X30 (Ref # 220B) | 220AA0630 | 2 |
| CIRCLIP-TYPE-E,6MM (Ref # 482) | 482J6000 | 1 |
| O RING,10MM (Ref # 670) | 670D2010 | 1 |