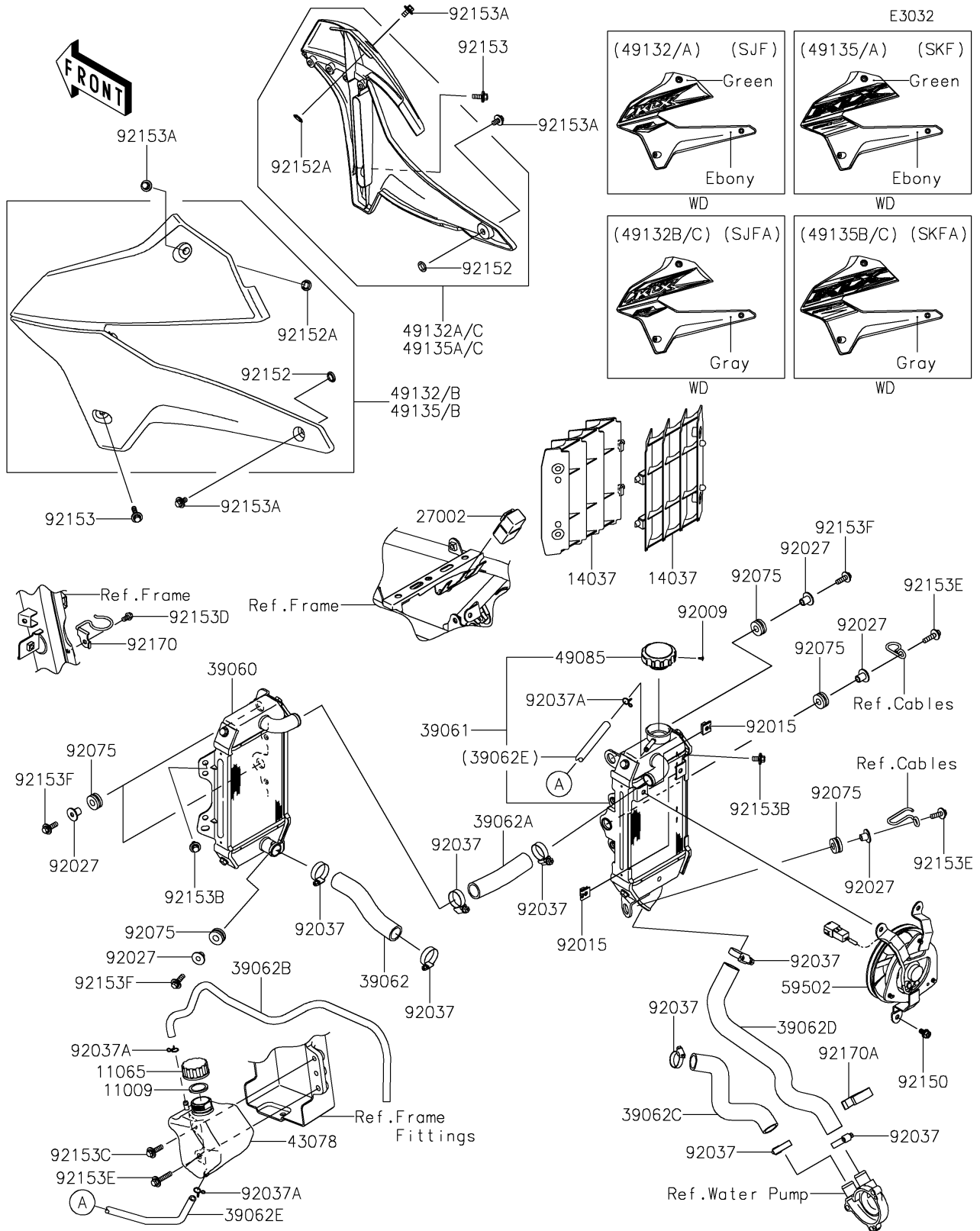


# 2018 KLX® 250 PARTS DIAGRAM

## Radiator



## 2018 KLX® 250 PARTS LIST

### Radiator

ITEM NAME	PART NUMBER	QUANTITY
GASKET,RESERVOIR TANK CAP (Ref # 11009)	11009-1145	1
CAP (Ref # 11065)	11065-0969	1
SCREEN,EBONY (Ref # 14037)	14037-0067-6C	2
RELAY-ASSY (Ref # 27002)	27002-1086	1
RADIATOR,LH (Ref # 39060)	39060-0038	1
RADIATOR-ASSY,RH (Ref # 39061)	39061-0182	1
HOSE-COOLING,HEAD-RAD.LH (Ref # 39062)	39062-0199	1
HOSE-COOLING,RAD.LH-RAD.RH (Ref # 39062A)	39062-0200	1
HOSE-COOLING,OVERFLOW (Ref # 39062B)	39062-0204	1
HOSE-COOLING,PUMP-CYLINDER (Ref # 39062C)	39062-1563	1
HOSE-COOLING,RADIATOR-PUMP (Ref # 39062D)	39062-1564	1
HOSE-COOLING,RESERVOIR (Ref # 39062E)	39062-1786	1
RESERVOIR (Ref # 43078)	43078-0044	1
CAP-ASSY-PRESSURE (Ref # 49085)	49085-1075	1
SHROUD-ENGINE,LH,L.GREEN+EBY (Ref # 49132)	49132-5452-25M	1
SHROUD-ENGINE,RH,L.GREEN+EBY (Ref # 49132A)	49132-5454-25M	1
FAN-ASSY (Ref # 59502)	59502-0028	1
SCREW,TAPPING,3X6 (Ref # 92009)	92009-1844	1
NUT (Ref # 92015)	92015-1487	2
COLLAR,6.5X10X14.1 (Ref # 92027)	92027-1183	6
CLAMP,COOLING HOSE (Ref # 92037)	92037-1589	8
CLAMP (Ref # 92037A)	92037-1712	3
DAMPER (Ref # 92075)	92075-209	6
BOLT,6X12 (Ref # 92150)	92150-1186	3
COLLAR,8.8X11.2X4 (Ref # 92152)	92152-0909	2
COLLAR (Ref # 92152A)	92152-1235	2
BOLT,6X20 (Ref # 92153)	92153-0502	2
BOLT,6X12 (Ref # 92153A)	92153-0503	4
BOLT,FLANGED,6X14 (Ref # 92153B)	92153-0936	2

## 2018 KLX® 250 PARTS LIST

### Radiator

ITEM NAME	PART NUMBER	QUANTITY
BOLT,FLANGED,6X22 (Ref # 92153C)	92153-0950	1
BOLT,FLANGED,6X10 (Ref # 92153D)	92153-1354	1
BOLT,FLANGED,6X30 (Ref # 92153E)	92153-1457	3
BOLT,FLANGED-SMALL,6X22 (Ref # 92153F)	92153-1560	4
CLAMP (Ref # 92170)	92170-1357	1
CLAMP (Ref # 92170A)	92170-1419	1