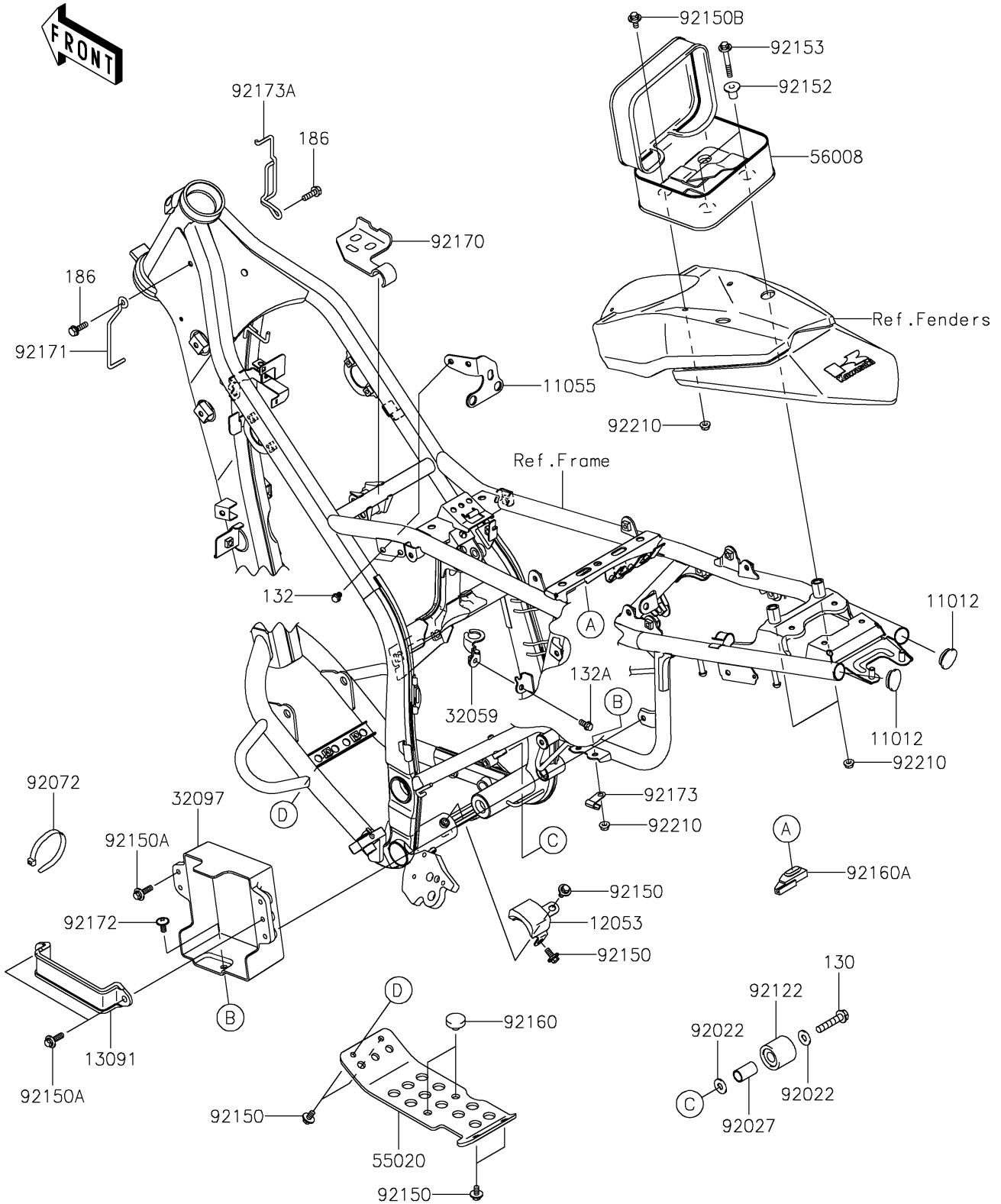


# 2019 KLX® 250 PARTS DIAGRAM

## Frame Fittings

F2131



## 2019 KLX® 250 PARTS LIST

### Frame Fittings

ITEM NAME	PART NUMBER	QUANTITY
CAP (Ref # 11012)	11012-1369	2
BRACKET,SENSOR (Ref # 11055)	11055-1174	1
GUIDE-CHAIN (Ref # 12053)	12053-0001	1
HOLDER (Ref # 13091)	13091-1875	1
BRACKET-SWITCH,BRAKE (Ref # 32059)	32059-1117	1
CASE-BATTERY (Ref # 32097)	32097-0001	1
GUARD,ENGINE (Ref # 55020)	55020-1456	1
BAG,TOOL,BLACK (Ref # 56008)	56008-0037-MA	1
WASHER,8.5X20X1.6 (Ref # 92022)	92022-1561	2
COLLAR,CHAIN ROLLER (Ref # 92027)	92027-1670	1
BAND,L=140 (Ref # 92072)	92072-1293	1
ROLLER,CHAIN GUIDE (Ref # 92122)	92122-1153	1
BOLT,6X12 (Ref # 92150)	92150-1435	6
BOLT,FLANGED,6X22 (Ref # 92150A)	92150-1481	3
BOLT,FLANGED,6X16 (Ref # 92150B)	92150-1506	2
COLLAR (Ref # 92152)	92152-0604	2
BOLT,6X45 (Ref # 92153)	92153-0003	2
DAMPER (Ref # 92160)	92160-1396	2
DAMPER (Ref # 92160A)	92160-1565	1
CLAMP,HARNESS (Ref # 92170)	92170-1423	1
CLAMP,HARNESS,LH (Ref # 92171)	92171-1775	1
SCREW,6X14 (Ref # 92172)	92172-0004	1
CLAMP,HARNESS (Ref # 92173)	92173-1368	1
CLAMP,WIRE (Ref # 92173A)	92173-1742	1
NUT,FLANGED,6MM (Ref # 92210)	92210-0630	5
BOLT-FLANGED,8X40 (Ref # 130)	130BA0840	1
BOLT-FLANGED-SMALL,6X8 (Ref # 132)	132BB0608	2
BOLT-FLANGED-SMALL,6X12 (Ref # 132A)	132BB0612	1
BOLT-UPSET-WP,6X20 (Ref # 186)	186BA0620	2