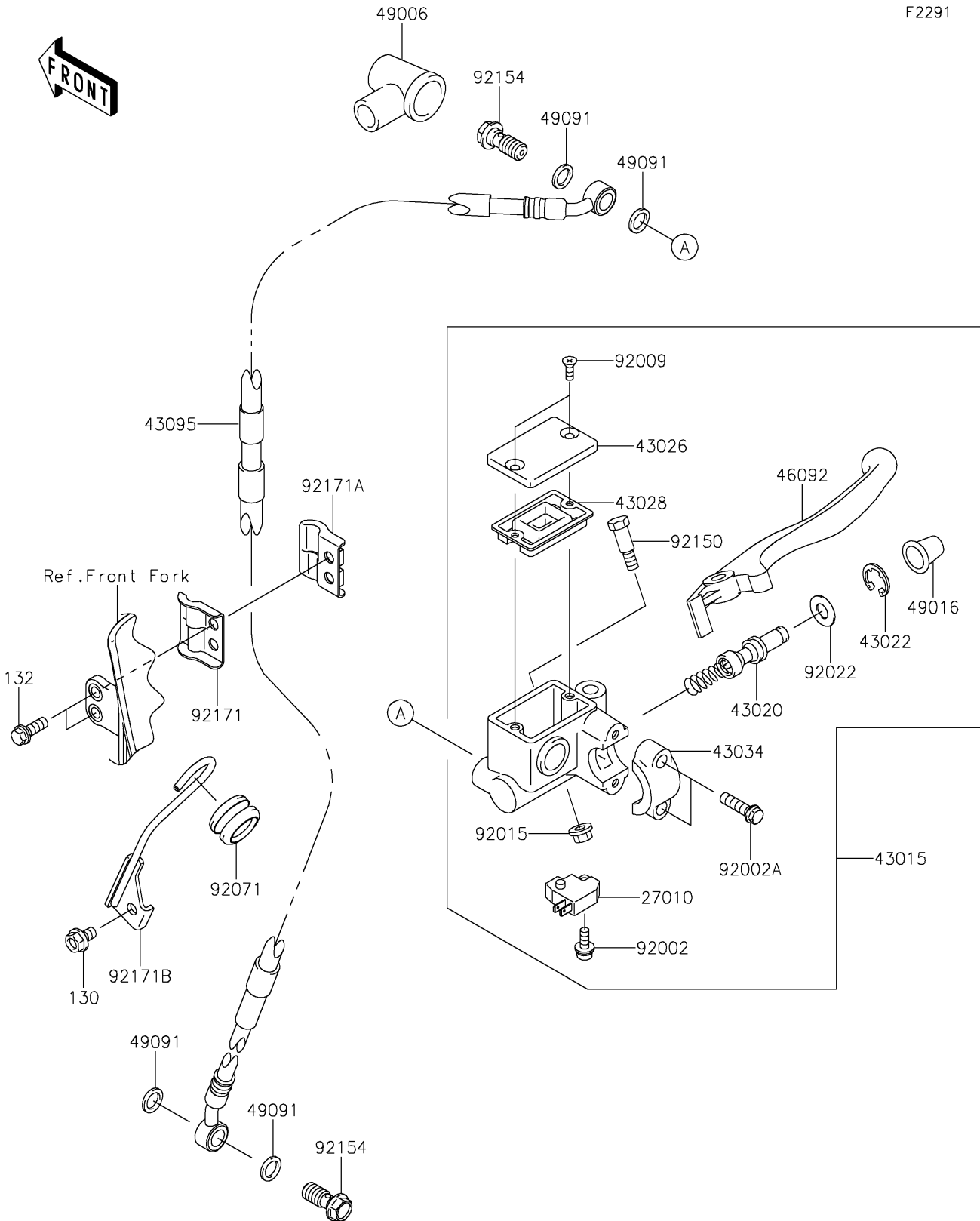


# 2019 KLX® 250 PARTS DIAGRAM

## Front Master Cylinder

F2291



## 2019 KLX® 250 PARTS LIST

### Front Master Cylinder

ITEM NAME	PART NUMBER	QUANTITY
SWITCH,BRAKE (Ref # 27010)	27010-0762	1
CYLINDER-ASSY-MASTER,FR (Ref # 43015)	43015-0705	1
PISTON-COMP-BRAKE (Ref # 43020)	43020-1126	1
STOPPER-BRAKE,PISTON (Ref # 43022)	43022-1010	1
CAP-BRAKE (Ref # 43026)	43026-1074	1
DIAPHRAGM (Ref # 43028)	43028-1061	1
HOLDER-BRAKE,MASTER CYLINDER (Ref # 43034)	43034-1016	1
HOSE-BRAKE,FR (Ref # 43095)	43095-0687	1
LEVER-GRIP,FRONT BRAKE (Ref # 46092)	46092-1140	1
BOOT,DUST (Ref # 49006)	49006-1040	1
COVER-SEAL,MASTER CYLINDER (Ref # 49016)	49016-1044	1
WASHER-SEAL,10.1X14.5X1.5 (Ref # 49091)	49091-0001	4
BOLT,SCREW,4X12 (Ref # 92002)	92002-1323	1
BOLT (Ref # 92002A)	92002-1894	2
SCREW,4MM (Ref # 92009)	92009-1458	2
NUT,FLANGED,6MM (Ref # 92015)	92015-1528	1
WASHER (Ref # 92022)	92022-1814	1
GROMMET,15X20X16 (Ref # 92071)	92071-0056	1
BOLT,LEVER SET (Ref # 92150)	92150-1451	1
BOLT,FLANGED,10X23 (Ref # 92154)	92154-0732	2
CLAMP,BRAKE HOSE (Ref # 92171)	92171-1626	1
CLAMP,BRAKE HOSE (Ref # 92171A)	92171-1627	1
CLAMP,BRAKE HOSE (Ref # 92171B)	92171-1839	1
BOLT-FLANGED,6X10 (Ref # 130)	130BB0610	1
BOLT-FLANGED-SMALL,6X16 (Ref # 132)	132BB0616	2