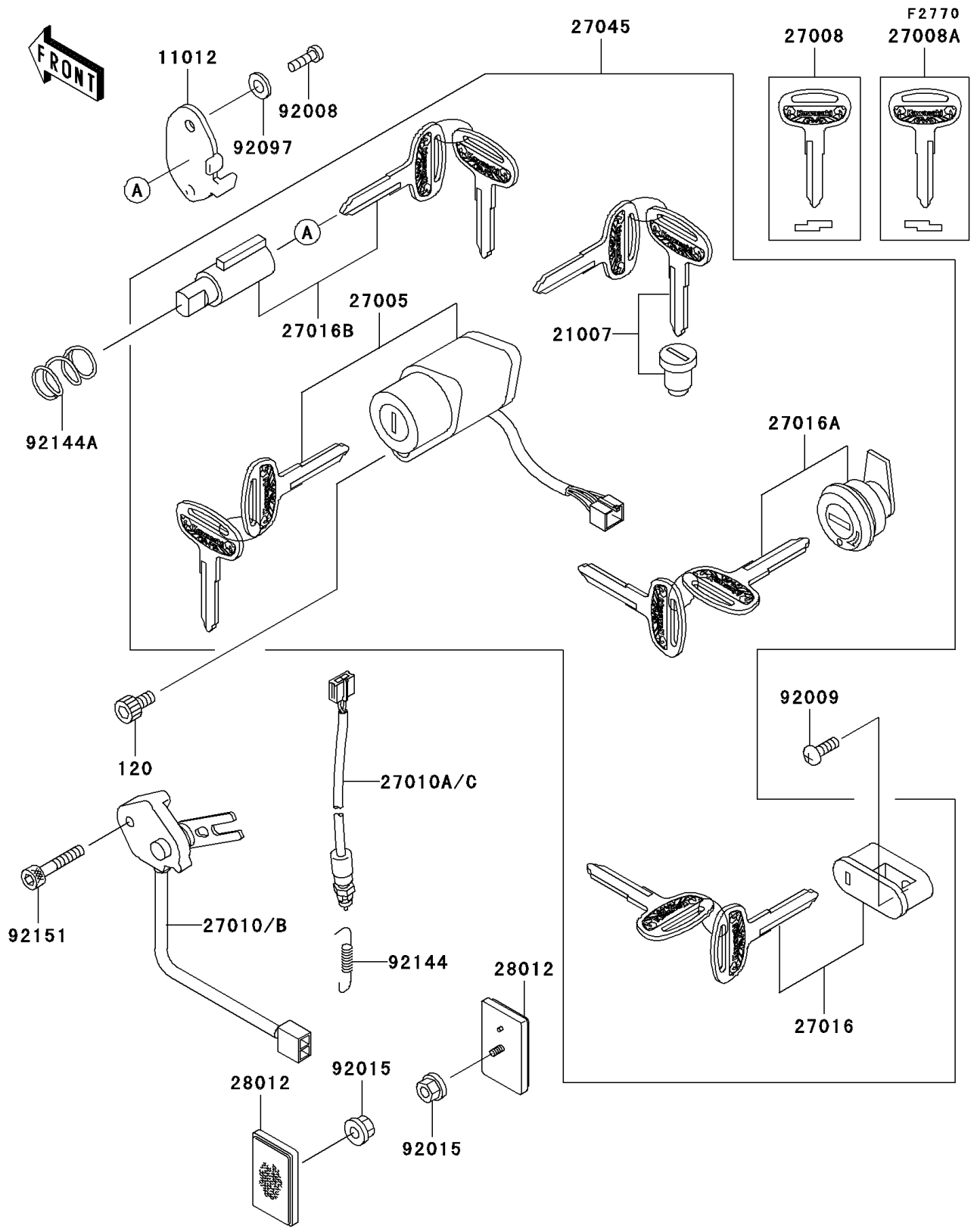


1999 Vulcan 1500 Classic PARTS DIAGRAM

Ignition Switch/Locks/Reflectors



1999 Vulcan 1500 Classic PARTS LIST

Ignition Switch/Locks/Reflectors

| ITEM NAME | PART NUMBER | QUANTITY |
|--|-------------|----------|
| BOLT-SOCKET (Ref # 120) | 120P0512 | 1 |
| CAP,STEERING LOCK (Ref # 11012) | 11012-1586 | 1 |
| ROTOR,LOCK,TANK CAP (Ref # 21007) | 21007-5041 | 1 |
| SWITCH-ASSY-IGNITION (Ref # 27005) | 27005-1215 | 1 |
| KEY-LOCK,BLANK,#A (Ref # 27008) | 27008-1179 | 1 |
| KEY-LOCK,BLANK,#B (Ref # 27008A) | 27008-1180 | 1 |
| SWITCH,SIDE STAND (Ref # 27010) | 27010-1359 | 1 |
| SWITCH,REAR BRAKE (Ref # 27010A) | 27010-1370 | 1 |
| LOCK-ASSY,HELMET (Ref # 27016) | 27016-5243 | 2 |
| LOCK-ASSY,LID (Ref # 27016A) | 27016-5244 | 1 |
| LOCK-ASSY,STEERING (Ref # 27016B) | 27016-5246 | 1 |
| SWITCH-ASSY (Ref # 27045) | 27045-5087 | 1 |
| REFLECTOR-REFLEX,FR (Ref # 28012) | 28012-1009 | 2 |
| SCREW,3.51MM (Ref # 92008) | 92008-007 | 1 |
| SCREW,5X12 (Ref # 92009) | 92009-1296 | 2 |
| NUT,FLANGED,5MM (Ref # 92015) | 92015-1656 | 2 |
| WASHER,WAVE (Ref # 92097) | 92097-003 | 1 |
| SPRING,REAR BRAKE SWITCH (Ref # 92144) | 92144-1141 | 1 |
| SPRING,STEERING LOCK (Ref # 92144A) | 92144-1222 | 1 |
| BOLT,SOCKET,6X35 (Ref # 92151) | 92151-1390 | 1 |