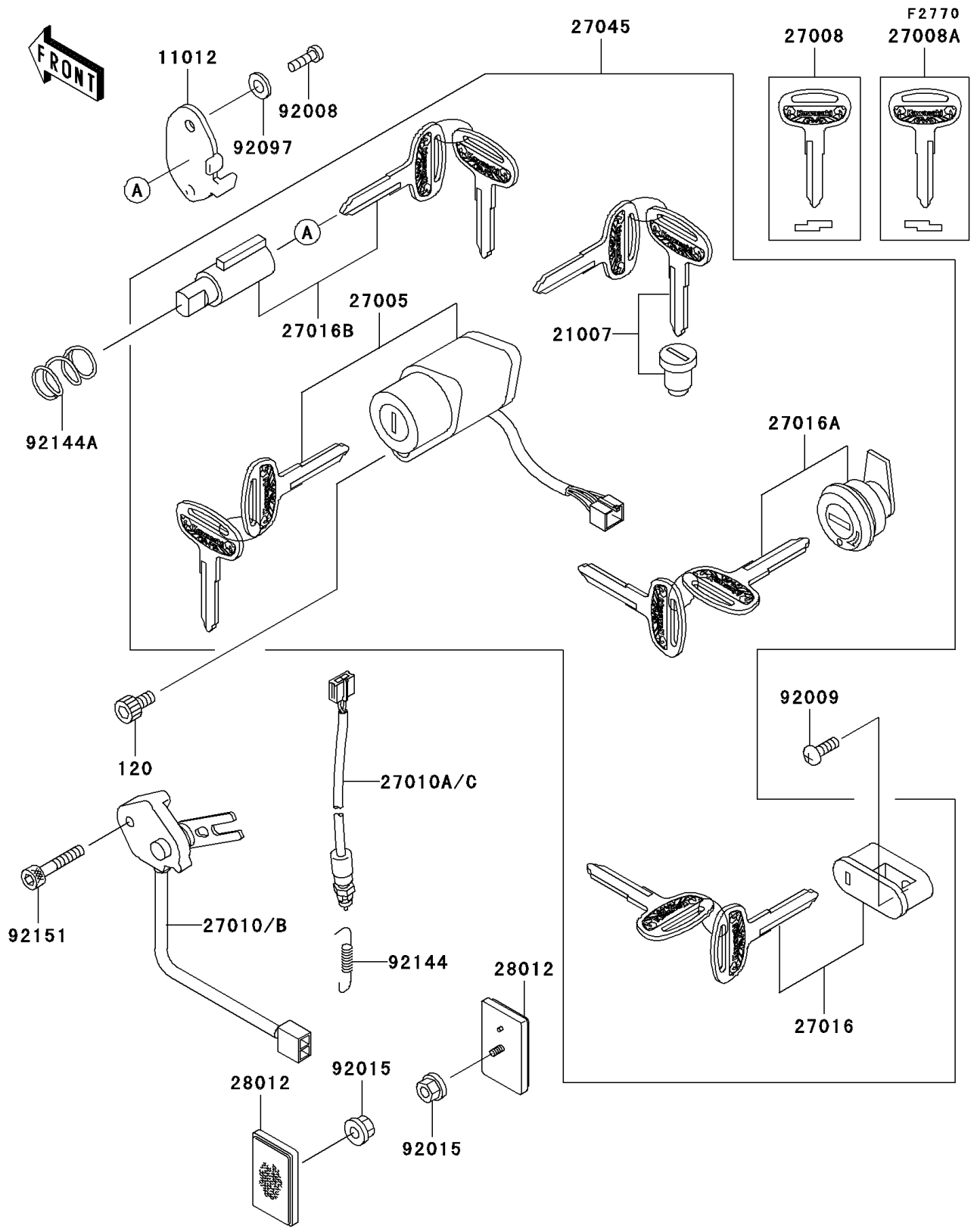


# 2000 Vulcan 1500 Classic PARTS DIAGRAM

Ignition Switch/Locks/Reflectors



# 2000 Vulcan 1500 Classic PARTS LIST

Ignition Switch/Locks/Reflectors

ITEM NAME	PART NUMBER	QUANTITY
-----------	-------------	----------