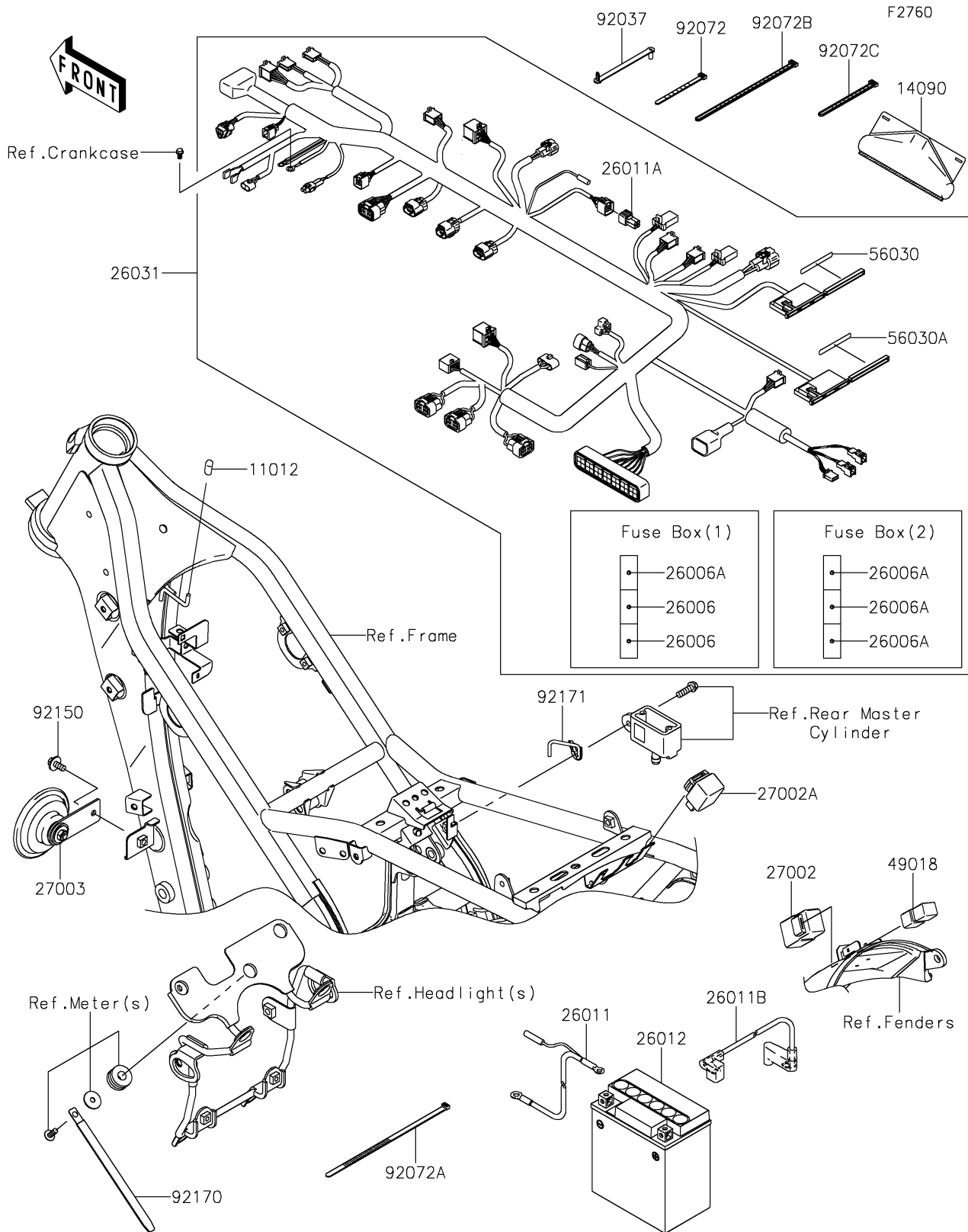


2019 KLX® 250 CAMO PARTS DIAGRAM

Chassis Electrical Equipment



2019 KLX® 250 CAMO PARTS LIST

Chassis Electrical Equipment

ITEM NAME	PART NUMBER	QUANTITY
-----------	-------------	----------