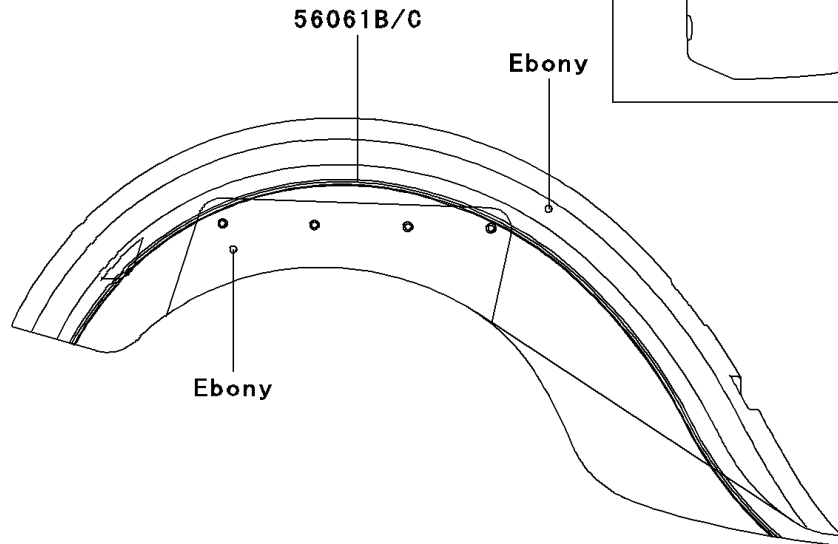
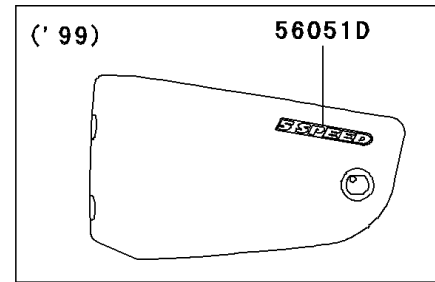
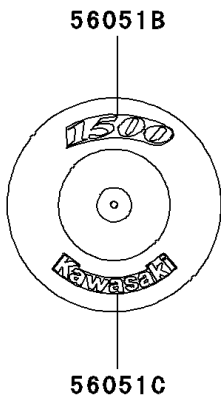
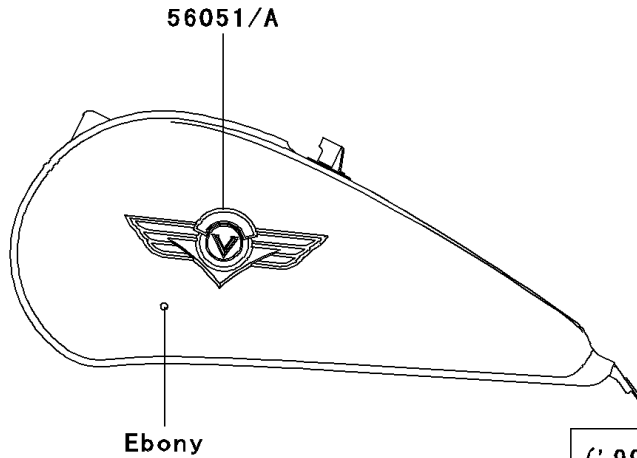
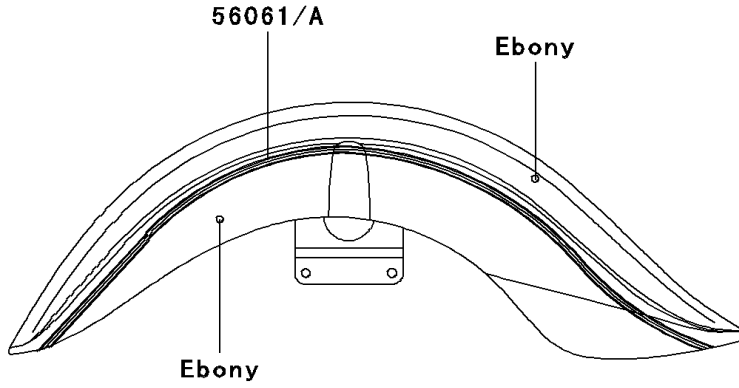


# 1999 Vulcan 1500 Classic PARTS DIAGRAM

Decals(Ebony)(VN1500-E2/E3)

F2861



# 1999 Vulcan 1500 Classic PARTS LIST

Decals(Ebony)(VN1500-E2/E3)

| ITEM NAME                                 | PART NUMBER | QUANTITY |
|---|-------------|----------|
| MARK,FUEL TANK,LH (Ref # 56051)           | 56051-1455  | 1        |
| MARK,FUEL TANK,RH (Ref # 56051A)          | 56051-1456  | 1        |
| MARK,AIR CLEANER,1500 (Ref # 56051B)      | 56051-1459  | 1        |
| MARK,AIR CLEANER,KAWASAKI (Ref # 56051C)  | 56051-1460  | 1        |
| MARK,SIDE COVER,LH,5 SPEED (Ref # 56051D) | 56051-1735  | 1        |
| PATTERN,FR FENDER,LH (Ref # 56061)        | 56061-1788  | 1        |
| PATTERN,FR FENDER,RH (Ref # 56061A)       | 56061-1789  | 1        |
| PATTERN,RR FENDER,LH (Ref # 56061B)       | 56061-1790  | 1        |
| PATTERN,RR FENDER,RH (Ref # 56061C)       | 56061-1791  | 1        |