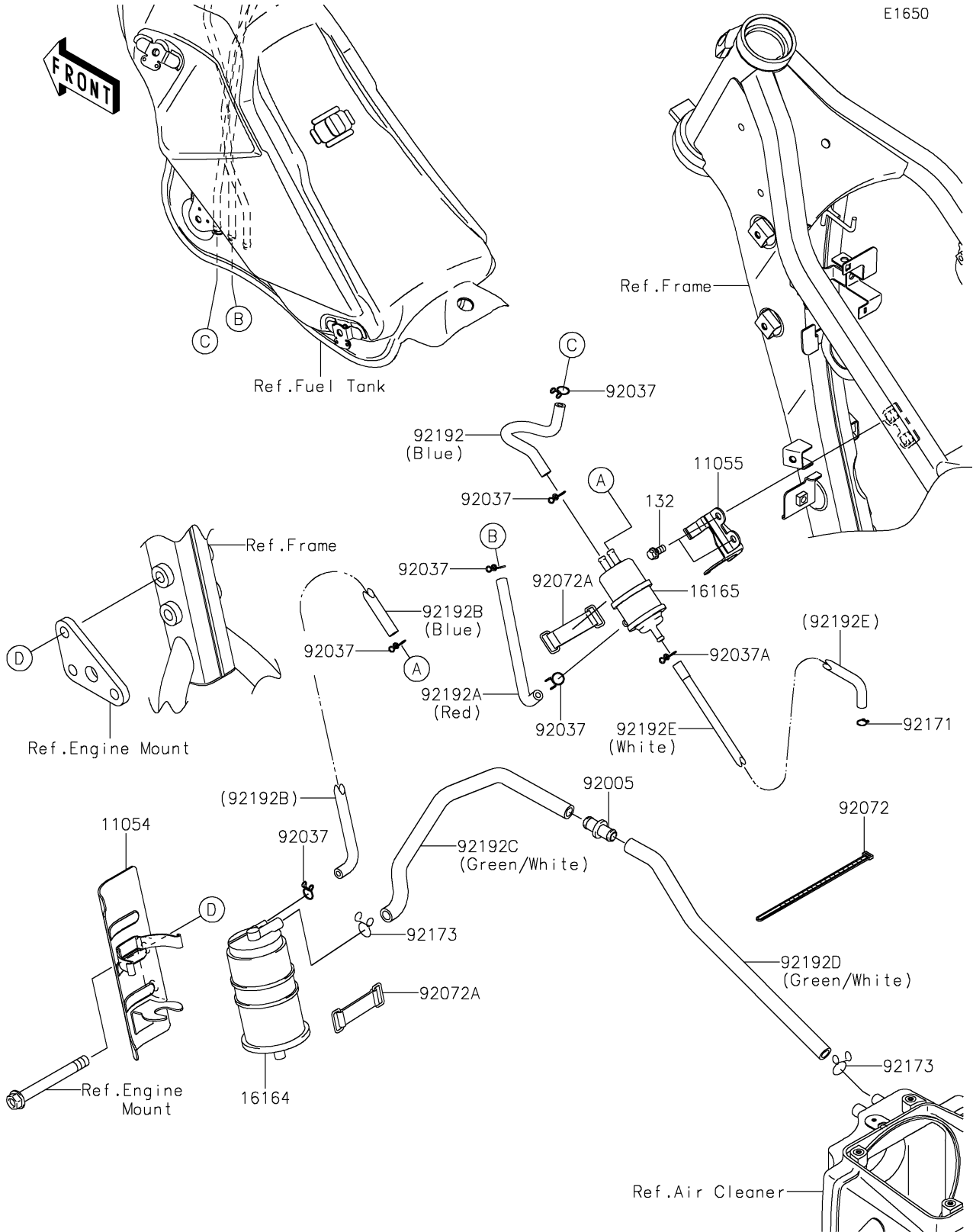


2020 KLX® 250 PARTS DIAGRAM

Fuel Evaporative System(CA)



2020 KLX® 250 PARTS LIST

Fuel Evaporative System(CA)

ITEM NAME	PART NUMBER	QUANTITY
BRACKET,CANISTER (Ref # 11054)	11054-1638	1
BRACKET,SEPARATOR (Ref # 11055)	11055-1149	1
CANISTER (Ref # 16164)	16164-0704	1
SEPARATOR (Ref # 16165)	16165-1001	1
FITTING (Ref # 92005)	92005-1379	1
CLAMP,TUBE (Ref # 92037)	92037-147	6
CLAMP (Ref # 92037A)	92037-1712	1
BAND,L=250 (Ref # 92072)	92072-1237	1
BAND,L=50 (Ref # 92072A)	92072-1419	2
CLAMP (Ref # 92171)	92171-0573	1
CLAMP,14MM (Ref # 92173)	92173-0192	2
TUBE,TANK-SEPARATOR,BLUE (Ref # 92192)	92192-0722	1
TUBE,SEPARATOR-TANK,RED (Ref # 92192A)	92192-0723	1
TUBE,SEPARATOR-CANISTER,BLUE (Ref # 92192B)	92192-0724	1
TUBE,CANISTER-FITTING,GRN/WHT (Ref # 92192C)	92192-0725	1
TUBE,FITTING-A/C,GRN/WHT (Ref # 92192D)	92192-0726	1
TUBE,THROBO-SEPARATOR,WHITE (Ref # 92192E)	92192-0787	1
BOLT-FLANGED-SMALL,6X12 (Ref # 132)	132BB0612	2