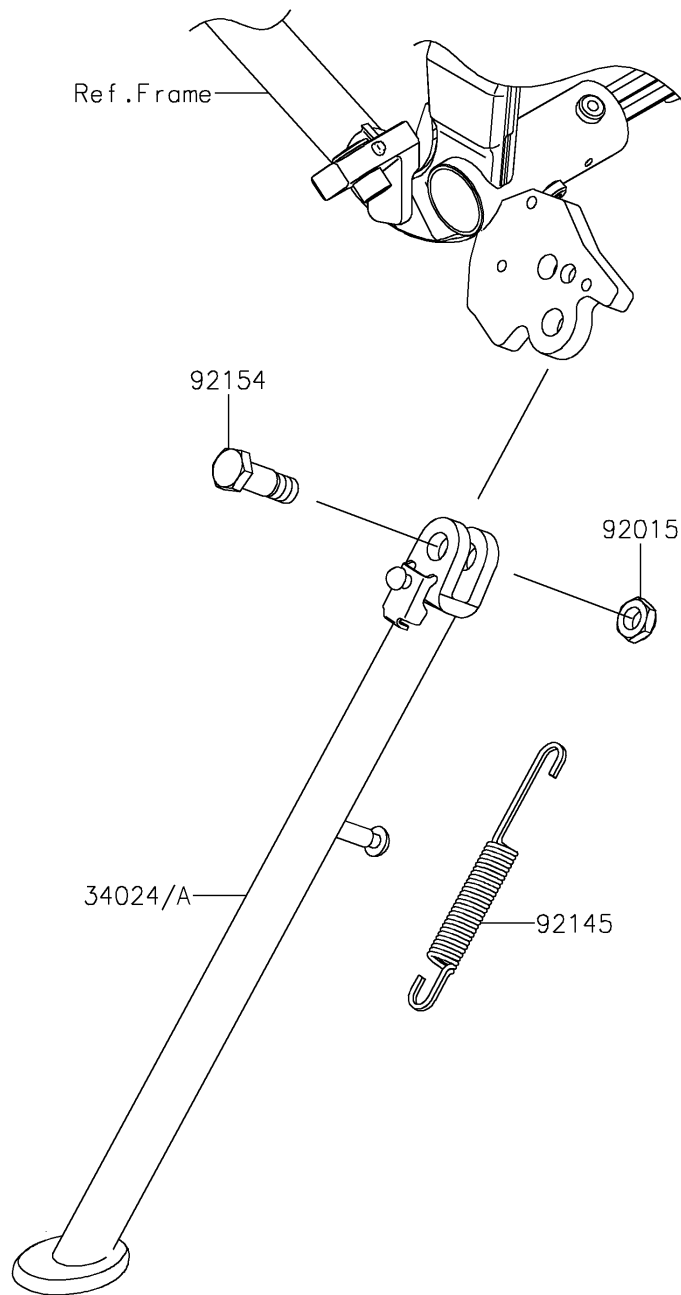


# 2021 KLX<sup>®</sup>300 PARTS DIAGRAM

Stand(s)

F2190



# 2021 KLX®300 PARTS LIST

Stand(s)

ITEM NAME	PART NUMBER	QUANTITY
-----------	-------------	----------