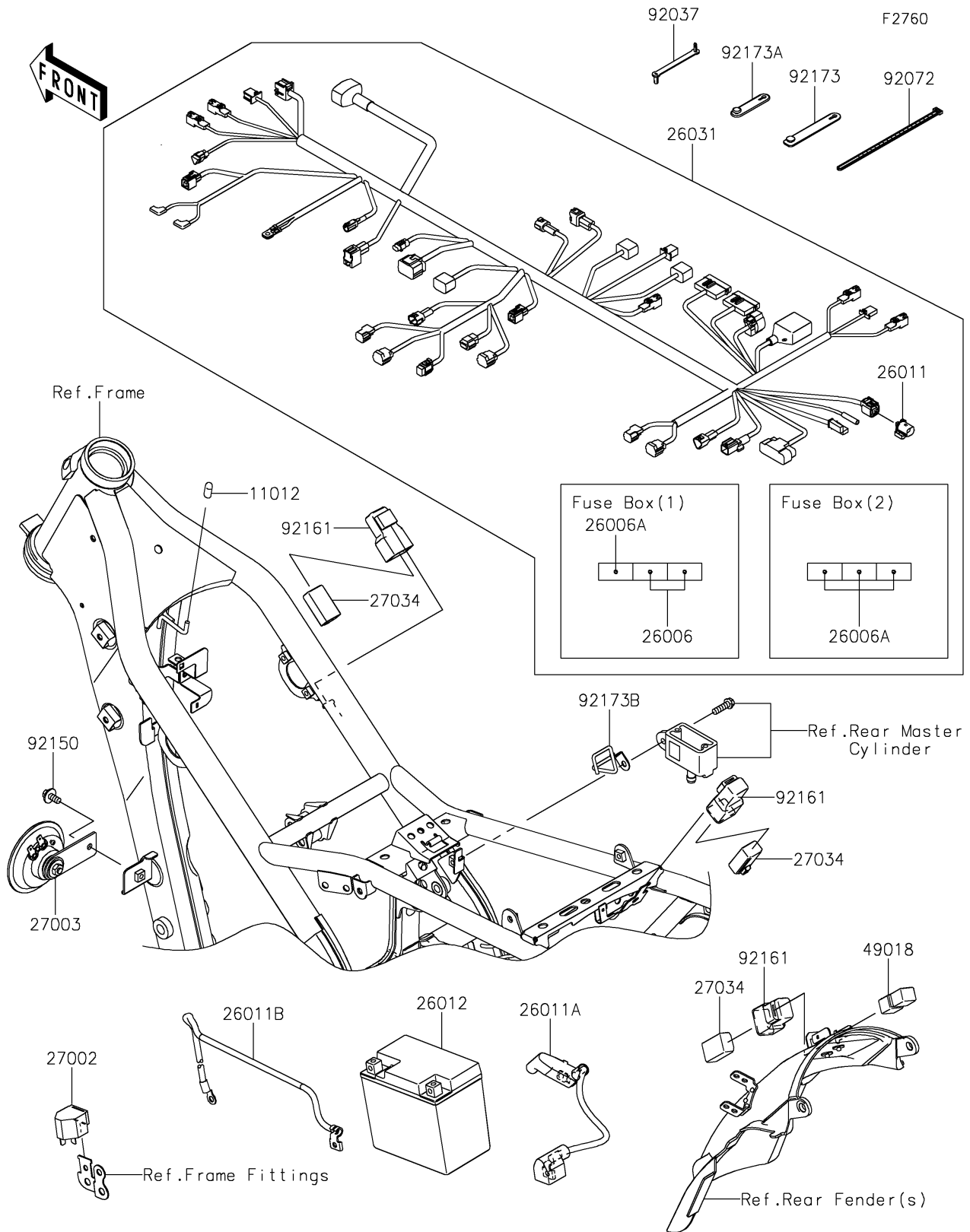


2021 KLX®300 PARTS DIAGRAM

Chassis Electrical Equipment



2021 KLX®300 PARTS LIST

Chassis Electrical Equipment

ITEM NAME	PART NUMBER	QUANTITY
-----------	-------------	----------