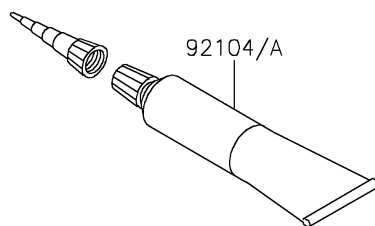
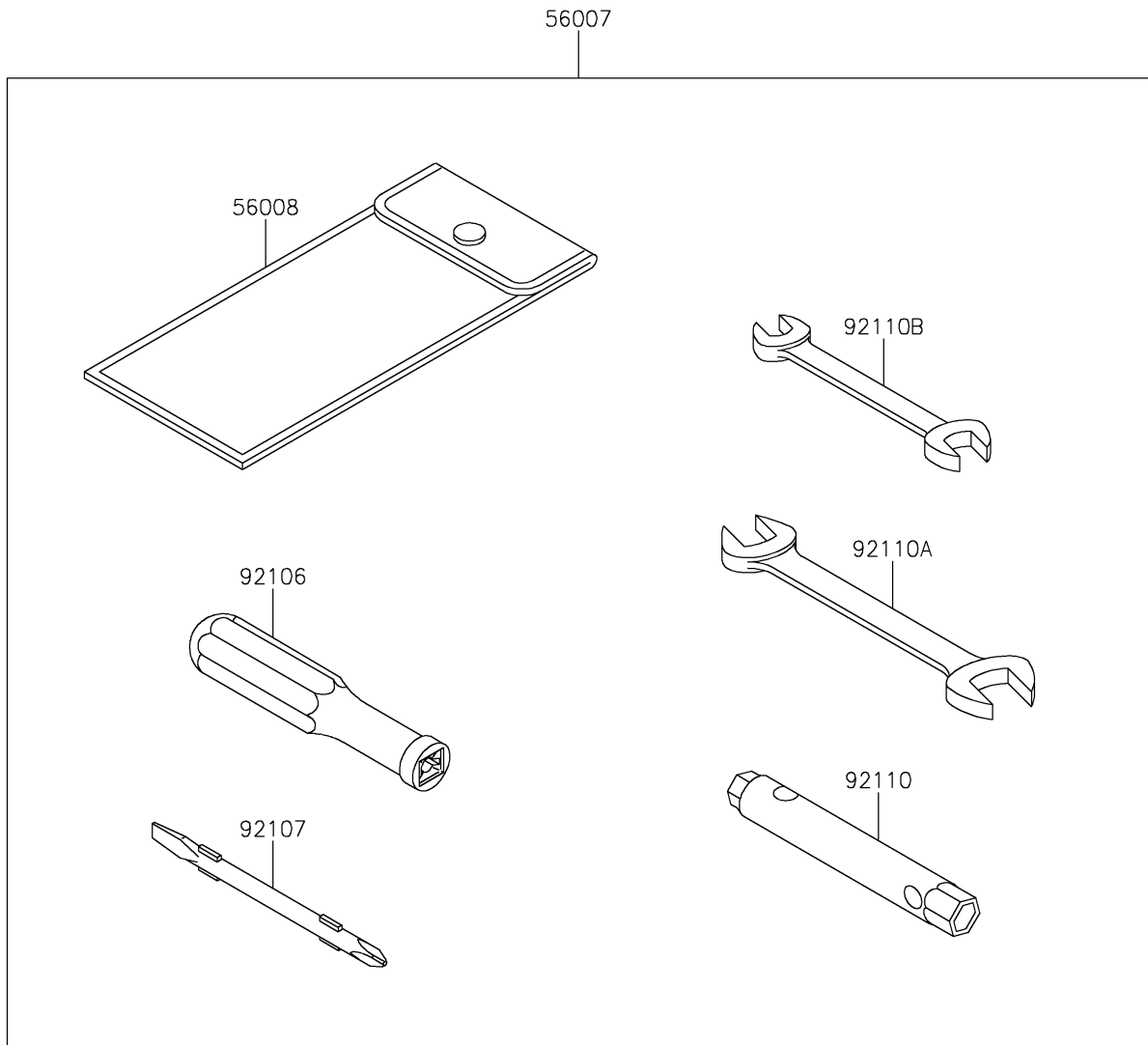


2021 KLX®300 PARTS DIAGRAM

Owner's Tools

F2810



2021 KLX®300 PARTS LIST

Owner's Tools

ITEM NAME	PART NUMBER	QUANTITY
-----------	-------------	----------