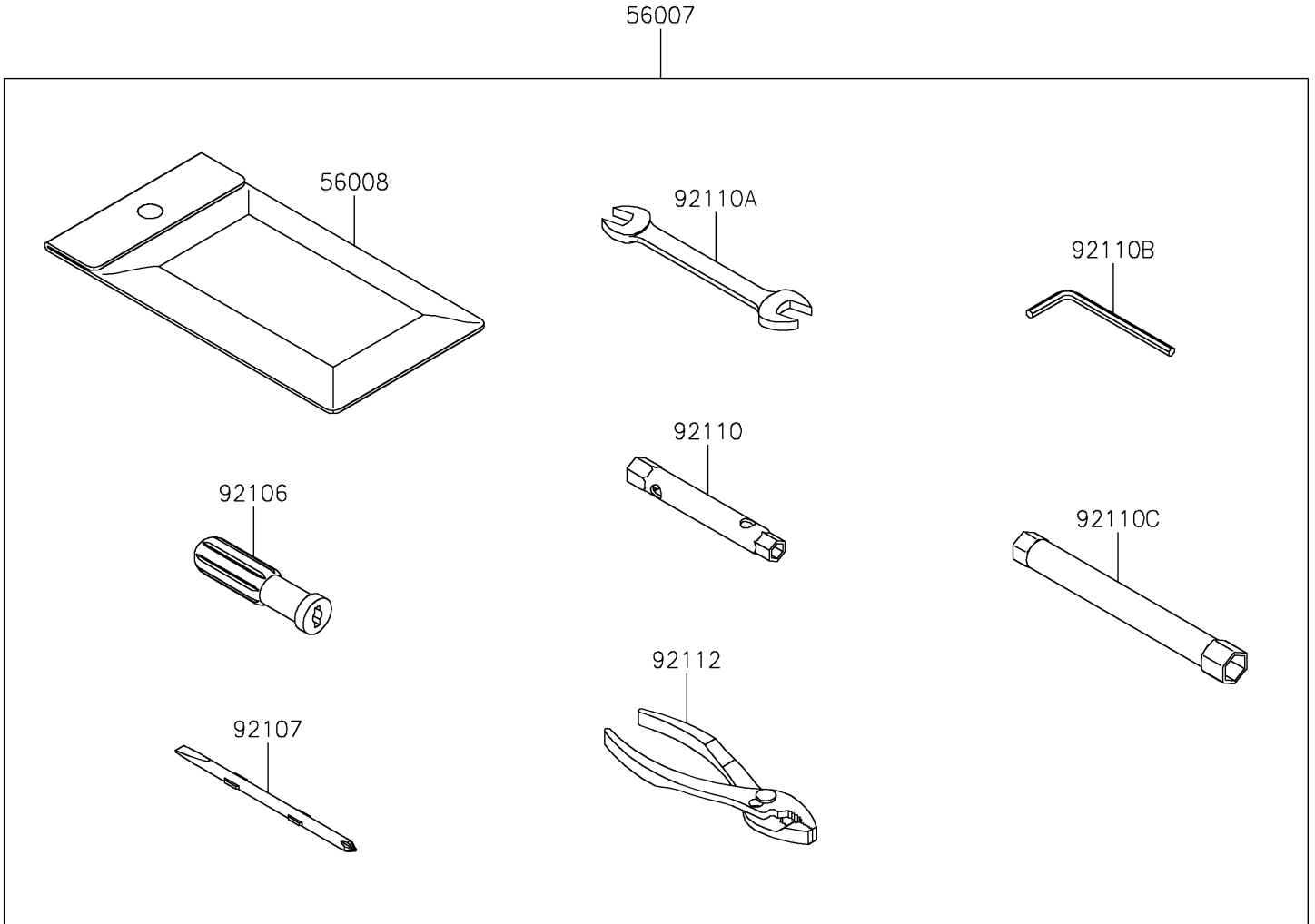


2022 KLR® 650 PARTS DIAGRAM

Owner's Tools

F2810



2022 KLR® 650 PARTS LIST

Owner's Tools

ITEM NAME	PART NUMBER	QUANTITY
-----------	-------------	----------