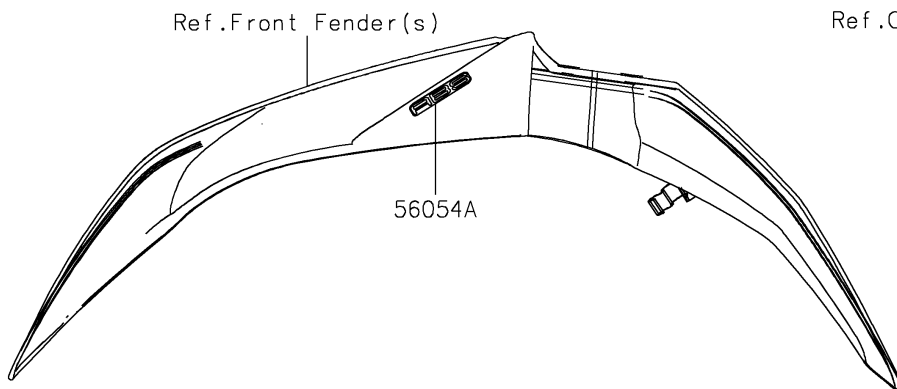
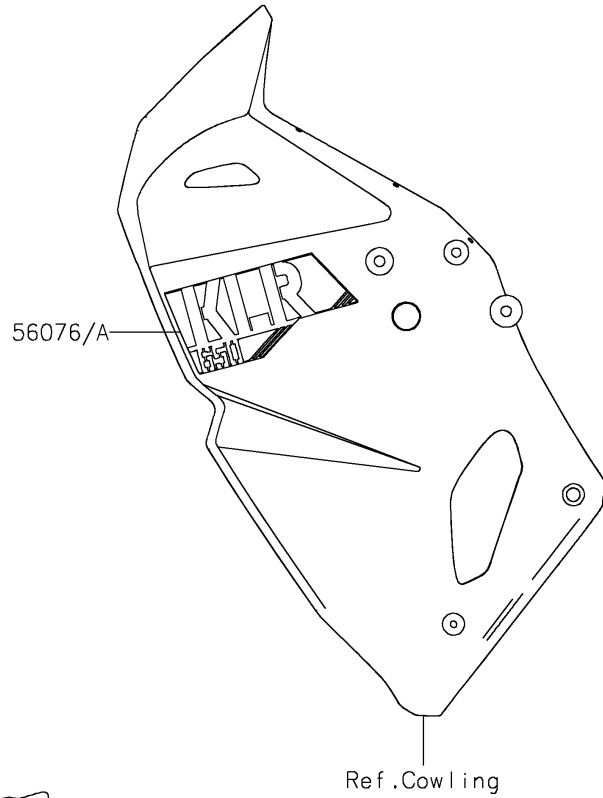
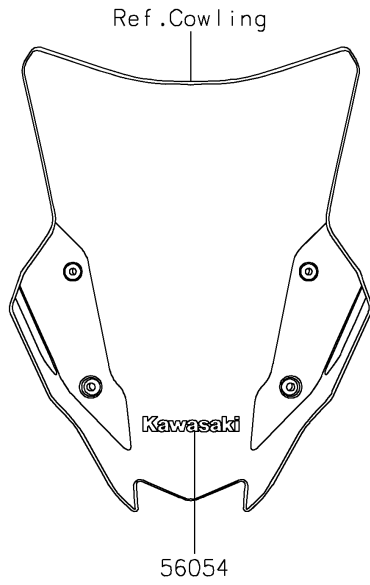


# 2022 KLR® 650 PARTS DIAGRAM

Decals(Orange)

F2861



# 2022 KLR® 650 PARTS LIST

Decals(Orange)

ITEM NAME	PART NUMBER	QUANTITY
-----------	-------------	----------