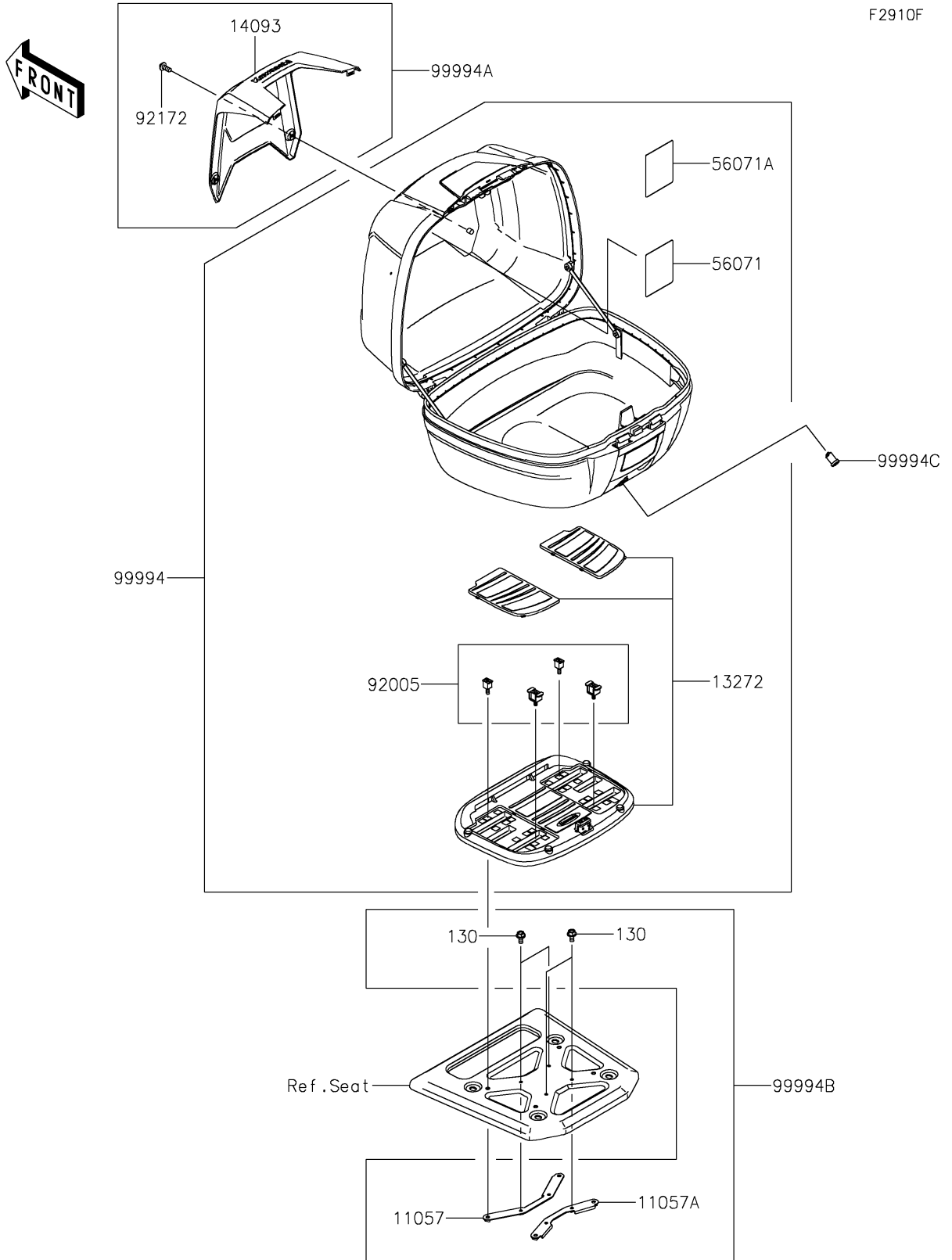


2022 KLR® 650 PARTS DIAGRAM

Accessory(Topcase)



2022 KLR® 650 PARTS LIST

Accessory(Topcase)

ITEM NAME	PART NUMBER	QUANTITY
-----------	-------------	----------