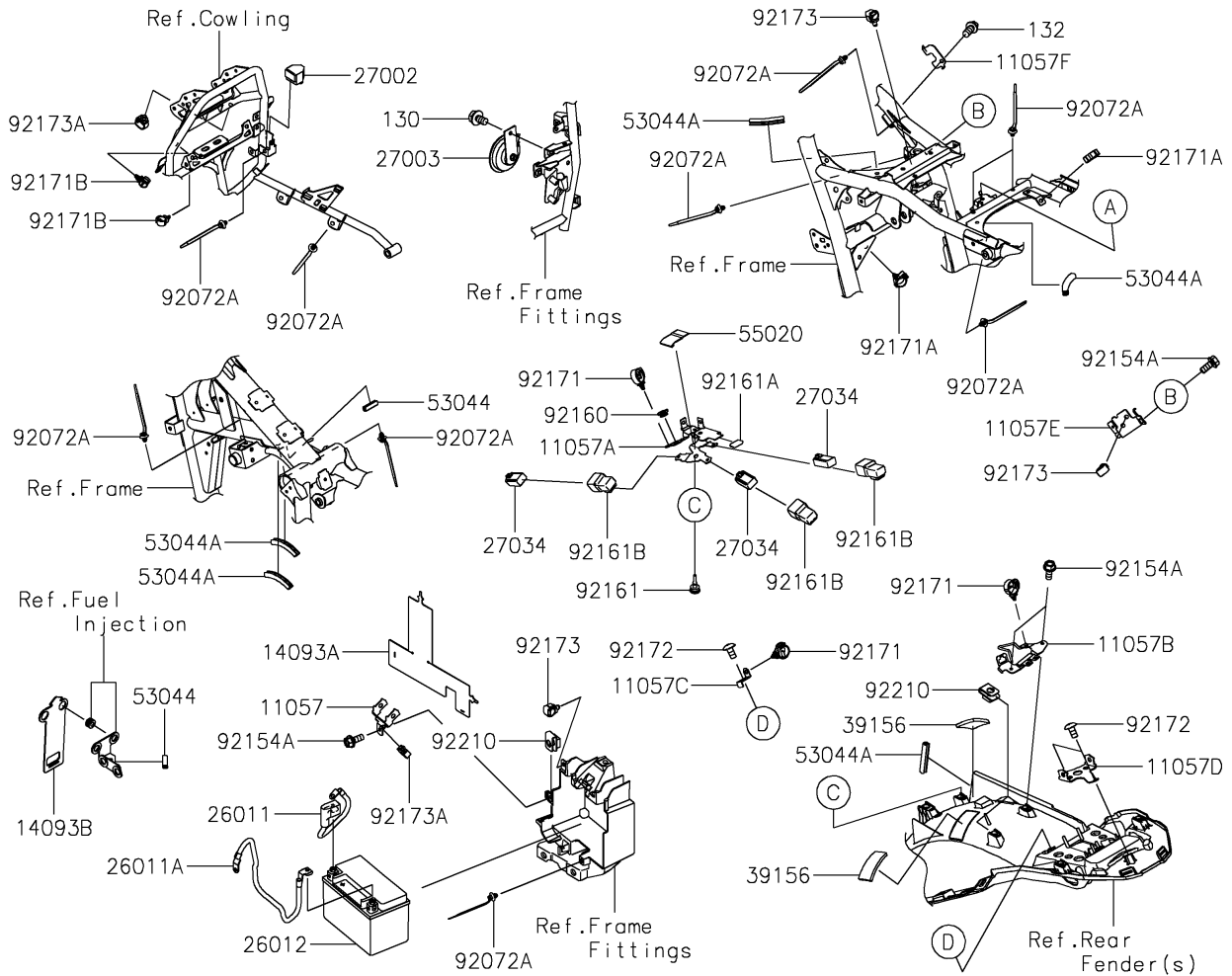
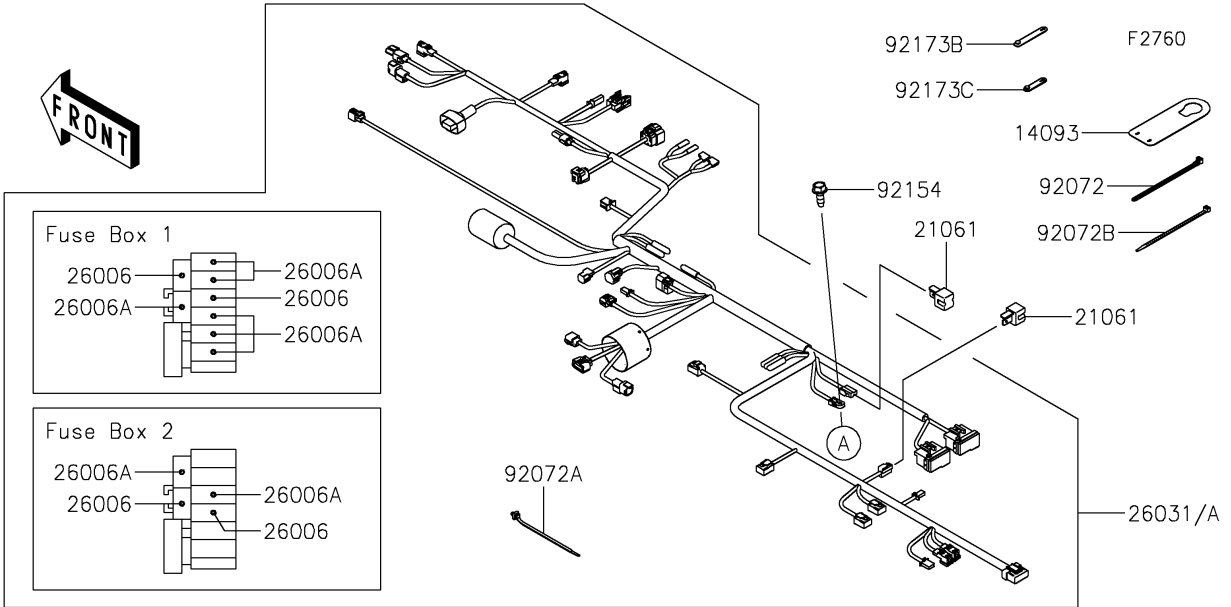


# 2022 KLR® 650 PARTS DIAGRAM

## Chassis Electrical Equipment



## 2022 KLR® 650 PARTS LIST

### Chassis Electrical Equipment

ITEM NAME	PART NUMBER	QUANTITY
BRACKET,MAGNETIC SWITCH (Ref # 11057)	11057-4292	1
BRACKET,FUSE BOX (Ref # 11057A)	11057-4295	1
BRACKET,RR HARNESS (Ref # 11057B)	11057-4298	1
BRACKET,HARNESS GUIDE (Ref # 11057C)	11057-4301	1
BRACKET,ECU (Ref # 11057D)	11057-4302	1
BRACKET,RR SPEED SENSOR (Ref # 11057E)	11057-4378	1
BRACKET,OXYGEN SENSOR (Ref # 11057F)	11057-4379	1
COVER,IGNITION SWITCH (Ref # 14093)	14093-1044	1
COVER,MAGNETIC SWITCH (Ref # 14093A)	14093-1197	1
COVER (Ref # 14093B)	14093-1214	1
RECTIFIER (Ref # 21061)	21061-1003	2
FUSE,MINI BLADE,15A,BLUE (Ref # 26006)	26006-0001	4
FUSE,MINI BLADE,10A,RED (Ref # 26006A)	26006-1078	8
WIRE-LEAD,BATTERY(+) (Ref # 26011)	26011-1936	1
WIRE-LEAD,BATTERY(-) (Ref # 26011A)	26011-1937	1
BATTERY,FTX9-BS,12V 8AH (Ref # 26012)	26012-0608	1
HARNESS,MAIN (Ref # 26031)	26031-3850	1
HARNESS,MAIN (Ref # 26031A)	26031-3851	1
RELAY-ASSY,TURN SIGNAL (Ref # 27002)	27002-0031	1
HORN (Ref # 27003)	27003-0163	1
RELAY (Ref # 27034)	27034-0012	3
PAD,30X55X5 (Ref # 39156)	39156-2694	2
TRIM,L=30 (Ref # 53044)	53044-0001	2
TRIM,L=60 (Ref # 53044A)	53044-0032	5
GUARD,50X30 (Ref # 55020)	55020-2334	1
BAND,L=140 (Ref # 92072)	92072-1293	1
BAND,OS170-FT7(BLACK) (Ref # 92072A)	92072-1414	AR
BAND,L=152 (Ref # 92072B)	92072-3874	4
BOLT,FLANGED,6X16 (Ref # 92154)	92154-0551	1

## 2022 KLR® 650 PARTS LIST

### Chassis Electrical Equipment

ITEM NAME	PART NUMBER	QUANTITY
BOLT,FLANGED,5X12 (Ref # 92154A)	92154-2893	4
DAMPER (Ref # 92160)	92160-1613	1
DAMPER (Ref # 92161)	92161-0901	1
DAMPER,12X23 (Ref # 92161A)	92161-1367	1
DAMPER (Ref # 92161B)	92161-2290	3
CLAMP,20MM DIA. (Ref # 92171)	92171-0069	3
CLAMP,BRAKE HOSE (Ref # 92171A)	92171-0316	2
CLAMP,13MM DIA. (Ref # 92171B)	92171-1415	2
SCREW,TAPPING,5X10 (Ref # 92172)	92172-0262	3
CLAMP,12MM DIA. (Ref # 92173)	92173-0736	3
CLAMP,HOLDER CLIP (Ref # 92173A)	92173-0868	2
CLAMP (Ref # 92173B)	92173-2194	1
CLAMP (Ref # 92173C)	92173-2198	2
NUT,PLATE,5MM (Ref # 92210)	92210-0935	3
BOLT-FLANGED,6X10 (Ref # 130)	130BB0610	1
BOLT-FLANGED-SMALL,6X12 (Ref # 132)	132BB0612	1