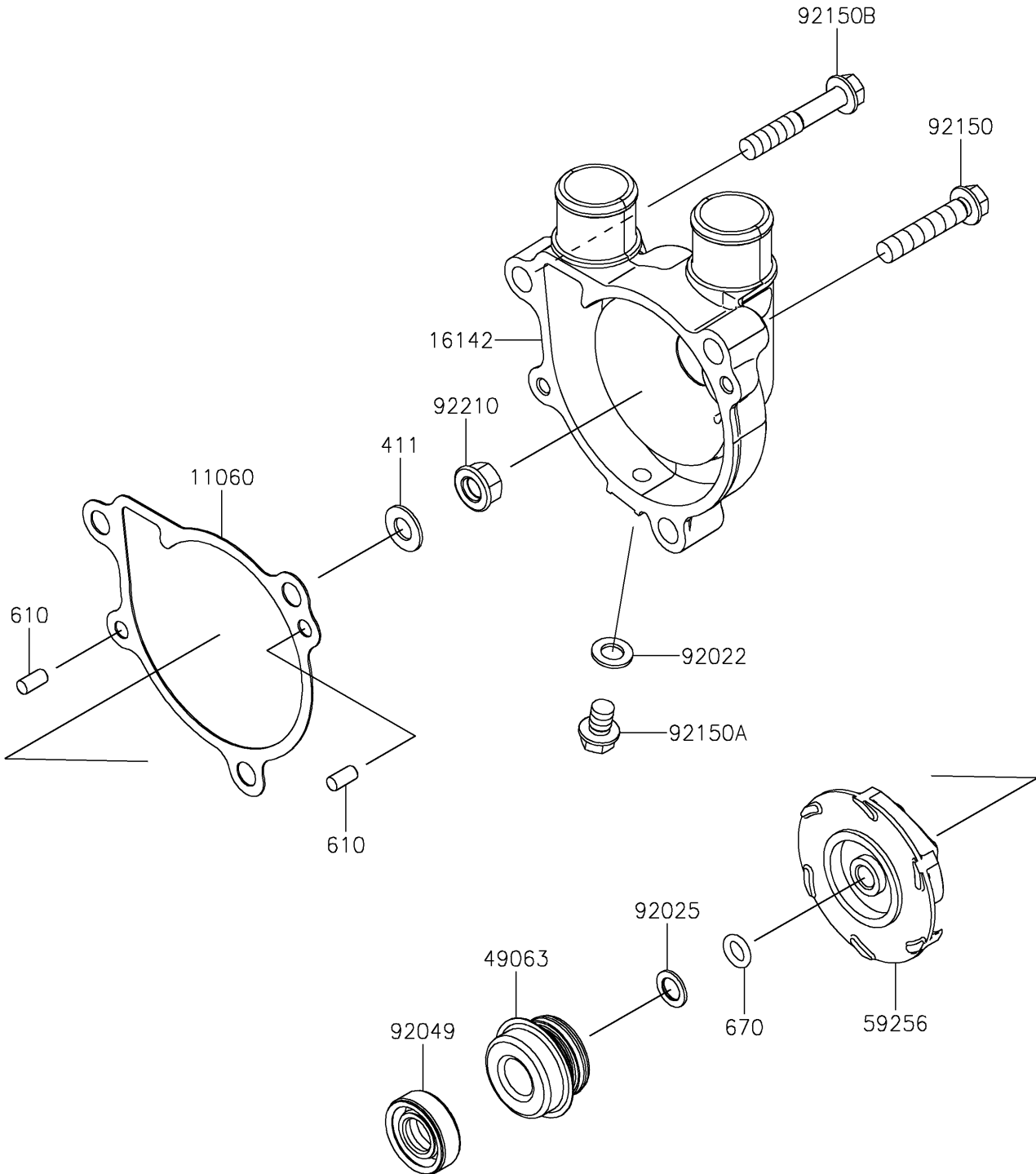


2022 KLR® 650 PARTS DIAGRAM

Water Pump

E3031



2022 KLR® 650 PARTS LIST

Water Pump

| ITEM NAME | PART NUMBER | QUANTITY |
|---------------------------------------|-------------|----------|
| GASKET,WATER PUMP COVER (Ref # 11060) | 11060-1114 | 1 |
| COVER-PUMP (Ref # 16142) | 16142-0067 | 1 |
| SEAL-MECHANICAL (Ref # 49063) | 49063-0002 | 1 |
| IMPELLER (Ref # 59256) | 59256-1055 | 1 |
| WASHER,6.2X11X1 (Ref # 92022) | 92022-304 | 1 |
| SHIM,T=0.8 (Ref # 92025) | 92025-1503 | 1 |
| SEAL-OIL,SC10227 (Ref # 92049) | 92049-1157 | 1 |
| BOLT,6X30 (Ref # 92150) | 92150-1021 | 2 |
| BOLT,6X8 (Ref # 92150A) | 92150-1966 | 1 |
| BOLT,6X35 (Ref # 92150B) | 92150-1967 | 1 |
| NUT,FLANGED,6MM (Ref # 92210) | 92210-0630 | 1 |
| WASHER-PLAIN,6MM (Ref # 411) | 411AB0600 | 1 |
| ROLLER,4X8 (Ref # 610) | 610A0408 | 2 |
| O RING,6MM (Ref # 670) | 670B1506 | 1 |