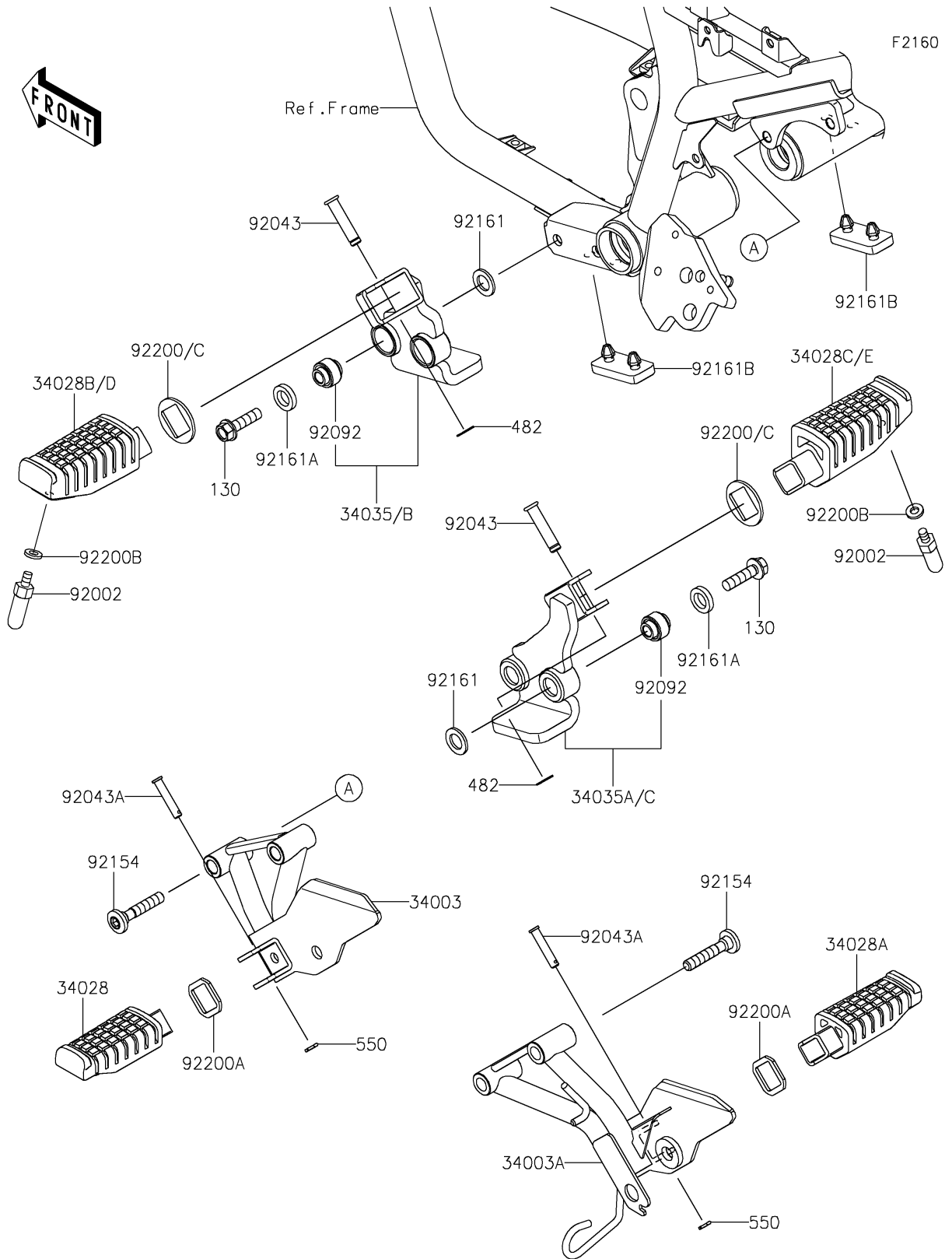


2022 KLR® 650 PARTS DIAGRAM

Footrests



2022 KLR® 650 PARTS LIST

Footrests

| ITEM NAME | PART NUMBER | QUANTITY |
|--|----------------|----------|
| HOLDER-STEP,RR,LH,F.S.BLACK (Ref # 34003) | 34003-0185-18R | 1 |
| HOLDER-STEP,RR,RH,F.S.BLACK (Ref # 34003A) | 34003-0193-18R | 1 |
| STEP,RR,LH (Ref # 34028) | 34028-0134 | 1 |
| STEP,RR,RH (Ref # 34028A) | 34028-0135 | 1 |
| STEP,FR,LH (Ref # 34028B) | 34028-0136 | 1 |
| STEP,FR,RH (Ref # 34028C) | 34028-0137 | 1 |
| STEP,FR,LH (Ref # 34028D) | 34028-0402 | 1 |
| STEP,FR,RH (Ref # 34028E) | 34028-0403 | 1 |
| HOLDER-ASSY-STEP,FR,LH (Ref # 34035) | 34035-0001 | 1 |
| HOLDER-ASSY-STEP,FR,RH (Ref # 34035A) | 34035-0002 | 1 |
| HOLDER-ASSY-STEP,FR,LH (Ref # 34035B) | 34035-0003 | 1 |
| HOLDER-ASSY-STEP,FR,RH (Ref # 34035C) | 34035-0004 | 1 |
| BOLT,BANK SENSOR (Ref # 92002) | 92002-1995 | 2 |
| PIN,8X36.5 (Ref # 92043) | 92043-1339 | 2 |
| PIN,6X28 (Ref # 92043A) | 92043-1464 | 2 |
| BUSHING-RUBBER,8.4X20X18 (Ref # 92092) | 92092-0039 | 4 |
| BOLT,SOCKET,8X44 (Ref # 92154) | 92154-4427 | 4 |
| DAMPER,12.5X21X2 (Ref # 92161) | 92161-0943 | 4 |
| DAMPER,12.5X20X4 (Ref # 92161A) | 92161-0944 | 4 |
| DAMPER (Ref # 92161B) | 92161-2391 | 2 |
| WASHER,FR STEP (Ref # 92200) | 92200-0560 | 2 |
| WASHER,RR STEP (Ref # 92200A) | 92200-0561 | 2 |
| WASHER,6.5X13X2.0 (Ref # 92200B) | 92200-0562 | 2 |
| WASHER,FR STEP (Ref # 92200C) | 92200-2537 | 2 |
| BOLT-FLANGED,8X30 (Ref # 130) | 130CA0830 | 4 |
| CIRCLIP-TYPE-E (Ref # 482) | 482EA7000 | 2 |
| PIN-COTTER,2.0X15 (Ref # 550) | 550AA2015 | 2 |