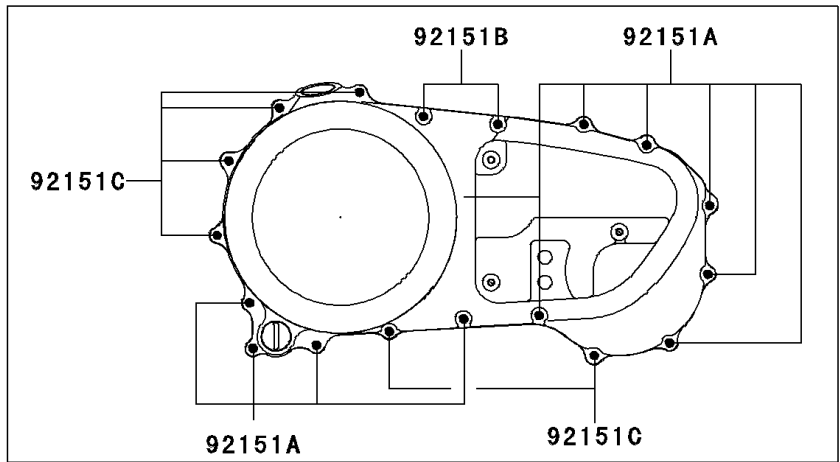
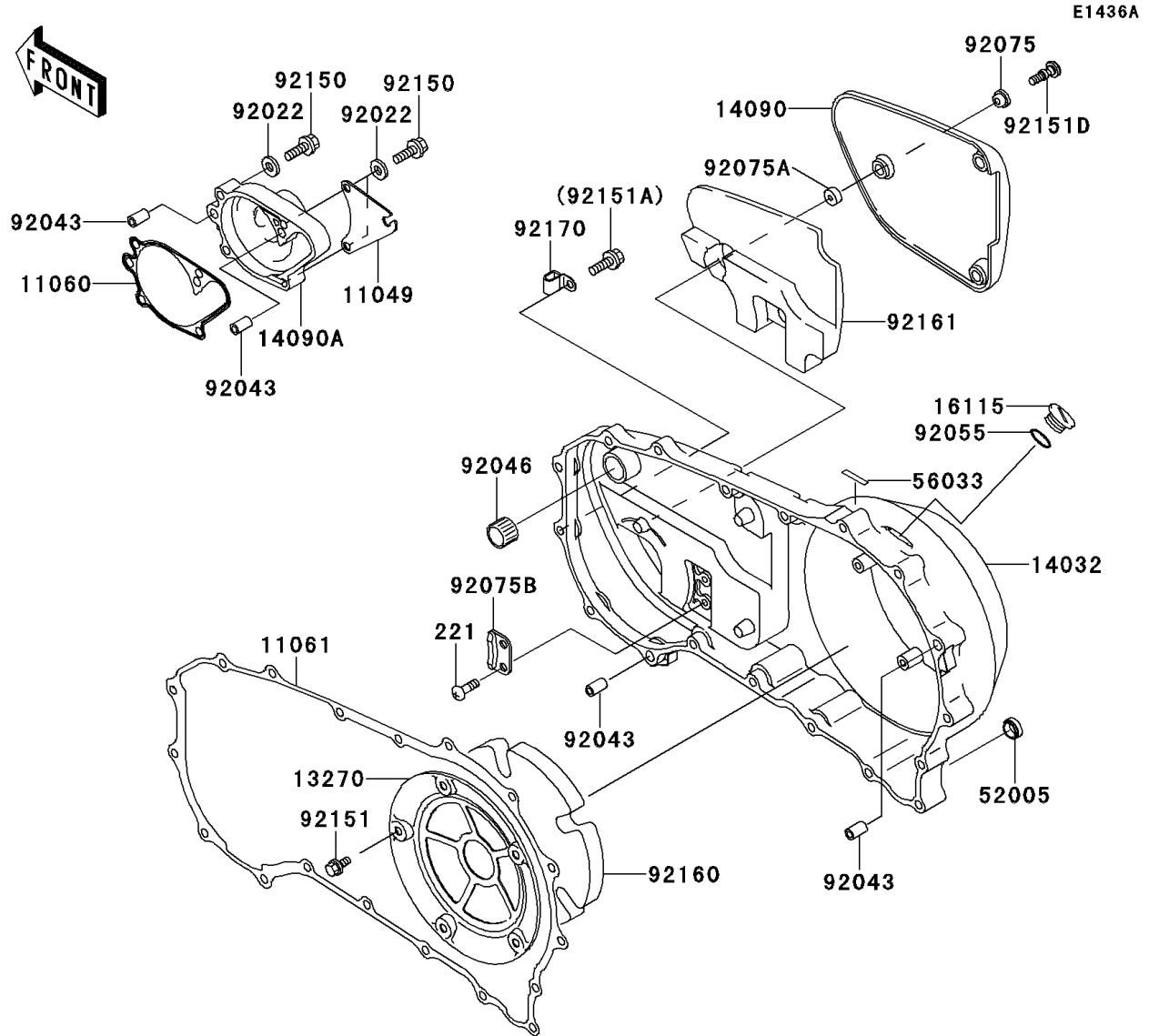


# 2001 Vulcan 1500 Nomad PARTS DIAGRAM

Right Engine Cover(s)



## 2001 Vulcan 1500 Nomad PARTS LIST

### Right Engine Cover(s)

| ITEM NAME                               | PART NUMBER | QUANTITY |
|---|-------------|----------|
| SCREW-CSK-CROS,6X12 (Ref # 221)         | 221B0612    | 2        |
| BRACKET (Ref # 11049)                   | 11049-1789  | 1        |
| GASKET,WATER PUMP COVER (Ref # 11060)   | 11060-1124  | 1        |
| GASKET,CLUTCH COVER (Ref # 11061)       | 11061-1062  | 1        |
| PLATE (Ref # 13270)                     | 13270-1592  | 1        |
| COVER-CLUTCH (Ref # 14032)              | 14032-1493  | 1        |
| COVER,CLUTCH OUTER (Ref # 14090)        | 14090-1678  | 1        |
| COVER,WATER PUMP (Ref # 14090A)         | 14090-1932  | 1        |
| CAP-OIL FILLER (Ref # 16115)            | 16115-1063  | 1        |
| GAUGE,OIL LEVEL (Ref # 52005)           | 52005-1009  | 1        |
| LABEL-MANUAL,OIL CAPACITY (Ref # 56033) | 56033-1156  | 1        |
| WASHER,6.1X12X1 (Ref # 92022)           | 92022-077   | 4        |
| PIN,6.2X8X14 (Ref # 92043)              | 92043-1263  | 4        |
| BEARING-NEEDLE,HK1212 (Ref # 92046)     | 92046-1163  | 1        |
| RING-O,31.7X2.4 (Ref # 92055)           | 92055-049   | 1        |
| DAMPER (Ref # 92075)                    | 92075-1855  | 3        |
| DAMPER (Ref # 92075A)                   | 92075-1856  | 3        |
| DAMPER (Ref # 92075B)                   | 92075-1905  | 1        |
| BOLT,6X30 (Ref # 92150)                 | 92150-1021  | 4        |
| BOLT,6X10 (Ref # 92151)                 | 92151-1064  | 5        |
| BOLT,6X25 (Ref # 92151A)                | 92151-1130  | 10       |
| BOLT,6X30 (Ref # 92151B)                | 92151-1134  | 2        |
| BOLT,6X35 (Ref # 92151C)                | 92151-1135  | 6        |
| BOLT,L=22.5 (Ref # 92151D)              | 92151-1273  | 3        |
| DAMPER (Ref # 92160)                    | 92160-1716  | 1        |
| DAMPER,DRAIN (Ref # 92161)              | 92161-1139  | 1        |
| CLAMP,METER HARNESS (Ref # 92170)       | 92170-1804  | 1        |