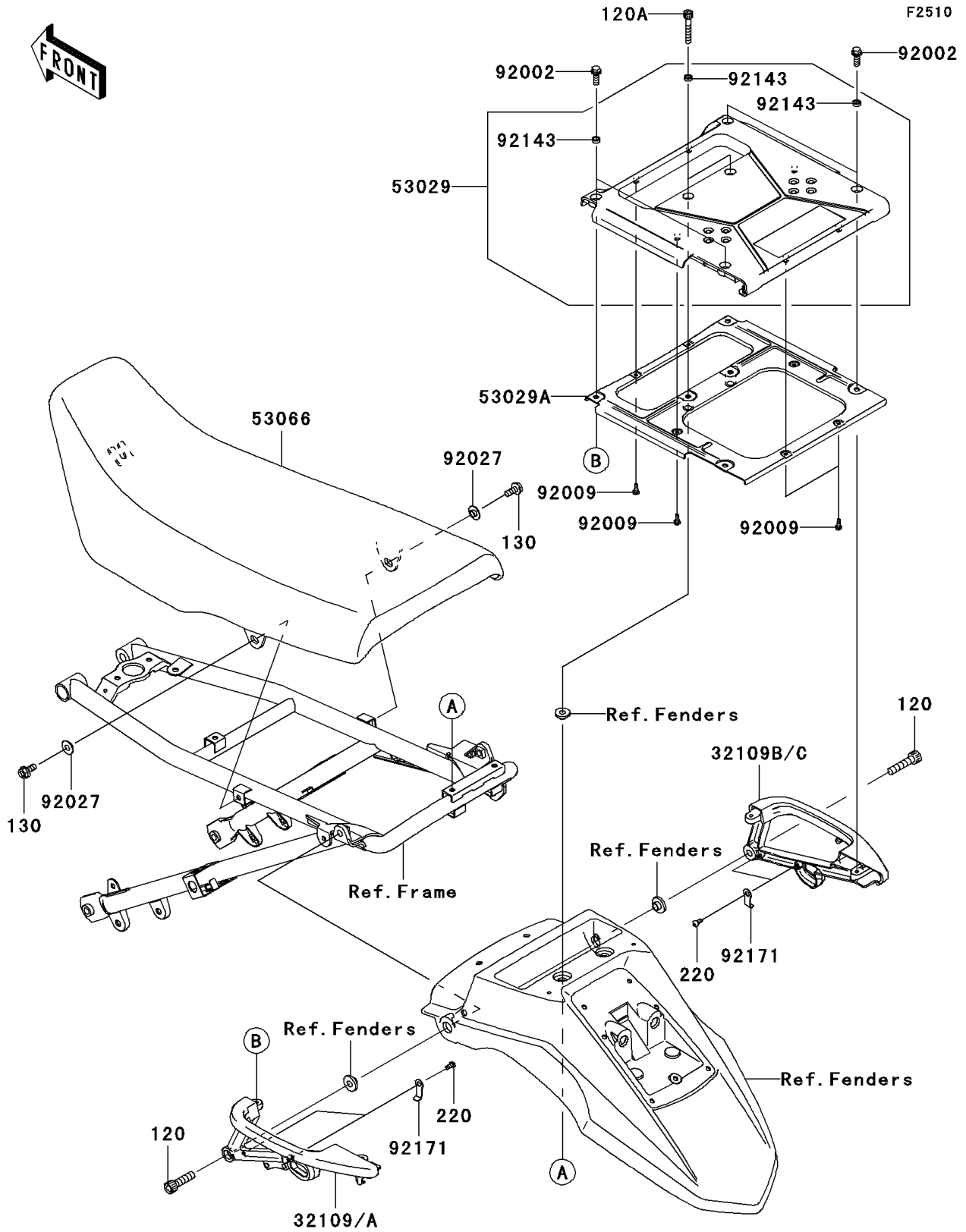


2008 KLR™ 650 PARTS DIAGRAM

Seat



2008 KLR™ 650 PARTS LIST

Seat

ITEM NAME	PART NUMBER	QUANTITY
BOLT-SOCKET,8X35 (Ref # 120)	120CA0835	2
BOLT-SOCKET,6X35 (Ref # 120A)	120CB0635	2
BOLT-FLANGED,6X14 (Ref # 130)	130BA0614	2
SCREW-PAN-CROSS,4X8 (Ref # 220)	220AB0408	4
GRIP-FRAME,LH,P.SILVER (Ref # 32109A)	32109-0018-458	1
GRIP-FRAME,RH,P.SILVER (Ref # 32109C)	32109-0019-458	1
CARRIER,UPP (Ref # 53029)	53029-0046	1
CARRIER,LWR (Ref # 53029A)	53029-0047	1
SEAT-ASSY,DUAL,GRAY/BLACK (Ref # 53066)	53066-0144-339	1
BOLT,6X16 (Ref # 92002)	92002-1933	4
SCREW,TAPPING,4X10 (Ref # 92009)	92009-1040	6
COLLAR (Ref # 92027)	92027-1794	2
COLLAR (Ref # 92143)	92143-1307	6
CLAMP (Ref # 92171)	92171-0893	4