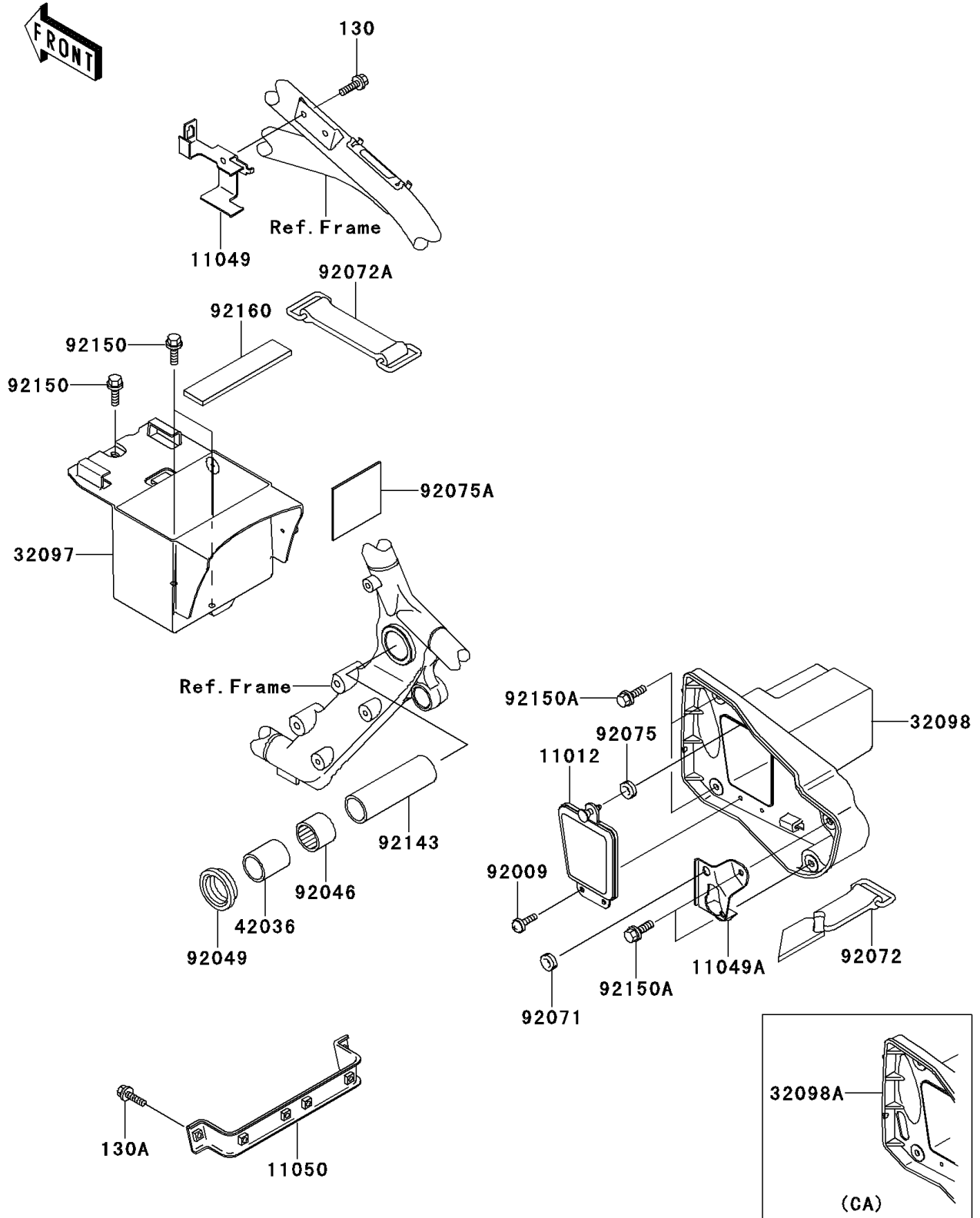


2001 Vulcan 1500 Nomad PARTS DIAGRAM

Battery Case

F2132



2001 Vulcan 1500 Nomad PARTS LIST

Battery Case

| ITEM NAME | PART NUMBER | QUANTITY |
|--------------------------------------|-------------|----------|
| BOLT-FLANGED (Ref # 130) | 130J0610 | 1 |
| BOLT-FLANGED,6X16,BLACK (Ref # 130A) | 130J0616 | 2 |
| CAP,TOOL CASE (Ref # 11012) | 11012-1956 | 1 |
| BRACKET,FUEL PUMP (Ref # 11049) | 11049-1599 | 1 |
| BRACKET,LOCK (Ref # 11049A) | 11049-1600 | 1 |
| BRACKET,REGULATOR (Ref # 11050) | 11050-1694 | 1 |
| CASE-BATTERY (Ref # 32097) | 32097-1161 | 1 |
| SLEEVE,L=45 (Ref # 42036) | 42036-1330 | 2 |
| SCREW,TAPPING,5X14 (Ref # 92009) | 92009-1635 | 2 |
| BEARING-NEEDLE,BM2824 (Ref # 92046) | 92046-1202 | 2 |
| SEAL-OIL (Ref # 92049) | 92049-1181 | 2 |
| GROMMET (Ref # 92071) | 92071-056 | 1 |
| BAND (Ref # 92072A) | 92072-1384 | 1 |
| DAMPER (Ref # 92075) | 92075-1629 | 1 |
| DAMPER,BATTERY (Ref # 92075A) | 92075-1864 | 1 |
| COLLAR,20.2X27X90 (Ref # 92143) | 92143-1878 | 1 |
| BOLT,6X14 (Ref # 92150) | 92150-1133 | 3 |
| BOLT,6X16 (Ref # 92150A) | 92150-1198 | 4 |
| DAMPER (Ref # 92160) | 92160-1779 | 1 |
| CASE-TOOL (Ref # 32098) | 32098-1109 | 1 |
| CASE-TOOL (Ref # 32098A) | 32098-1124 | 1 |
| BAND,L=470 (Ref # 92072) | 92072-1331 | 1 |