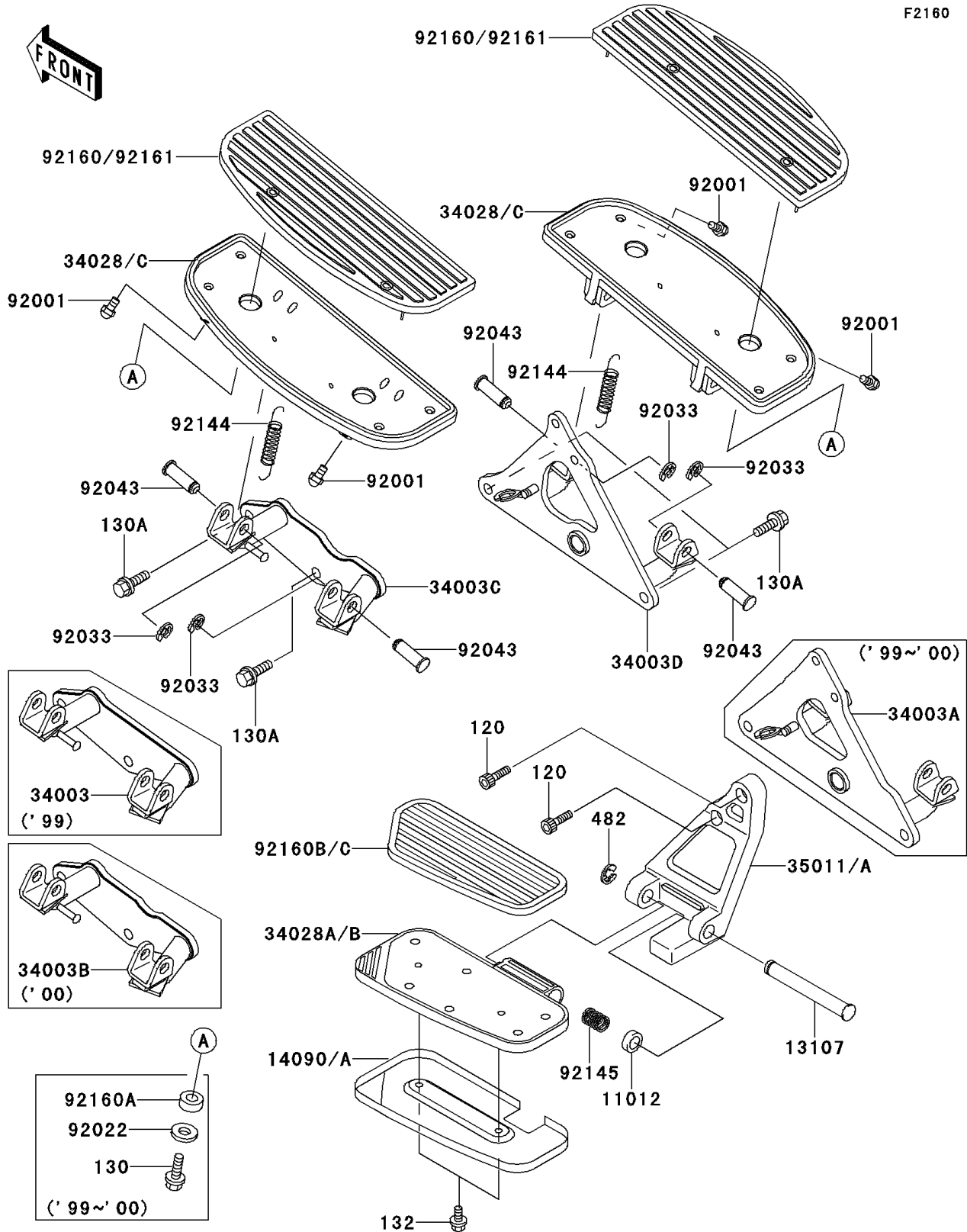


1999 Vulcan 1500 Nomad PARTS DIAGRAM

Footrests

F2160



1999 Vulcan 1500 Nomad PARTS LIST

Footrests

ITEM NAME	PART NUMBER	QUANTITY
BOLT-SOCKET,8X35,BLACK (Ref # 120)	120S0835	4
BOLT-FLANGED,6X16,BLACK (Ref # 130)	130J0616	4
BOLT-FLANGED,10X30 (Ref # 130A)	130J1030	4
BOLT-FLANGED-SMALL,6X8 (Ref # 132)	132E0608	4
CIRCLIP-TYPE-E (Ref # 482)	482L0200	2
CAP,MUFFLER STAY (Ref # 11012)	11012-1498	2
SHAFT,REAR STEP (Ref # 13107)	13107-1174	2
COVER,REAR STEP,LH (Ref # 14090)	14090-1907	1
COVER,REAR STEP,RH (Ref # 14090A)	14090-1908	1
HOLDER-STEP,FR,LH (Ref # 34003)	34003-1472	1
HOLDER-STEP,FR,RH (Ref # 34003A)	34003-1473	1
STEP,FR (Ref # 34028)	34028-1417	2
STEP,RR,LH (Ref # 34028A)	34028-1459	1
STEP,RR,RH (Ref # 34028B)	34028-1460	1
STAY,REAR STEP,LH (Ref # 35011)	35011-1897	1
STAY,REAR STEP,RH (Ref # 35011A)	35011-1898	1
BOLT,BANK SENSOR (Ref # 92001)	92001-1905	4
WASHER,7X28X1.6,BLACK (Ref # 92022)	92022-1392	4
RING-SNAP,10MM (Ref # 92033)	92033-1166	4
PIN,12X37 (Ref # 92043)	92043-1358	4
SPRING,BRAKE PEDAL RETURN (Ref # 92144)	92144-1266	2
SPRING,REAR STEP (Ref # 92145)	92145-1130	2
DAMPER,FRONT STEP (Ref # 92160)	92160-1727	2
DAMPER (Ref # 92160A)	92160-1728	4
DAMPER,REAR STEP,LH (Ref # 92160B)	92160-1904	1
DAMPER,REAR STEP,RH (Ref # 92160C)	92160-1905	1