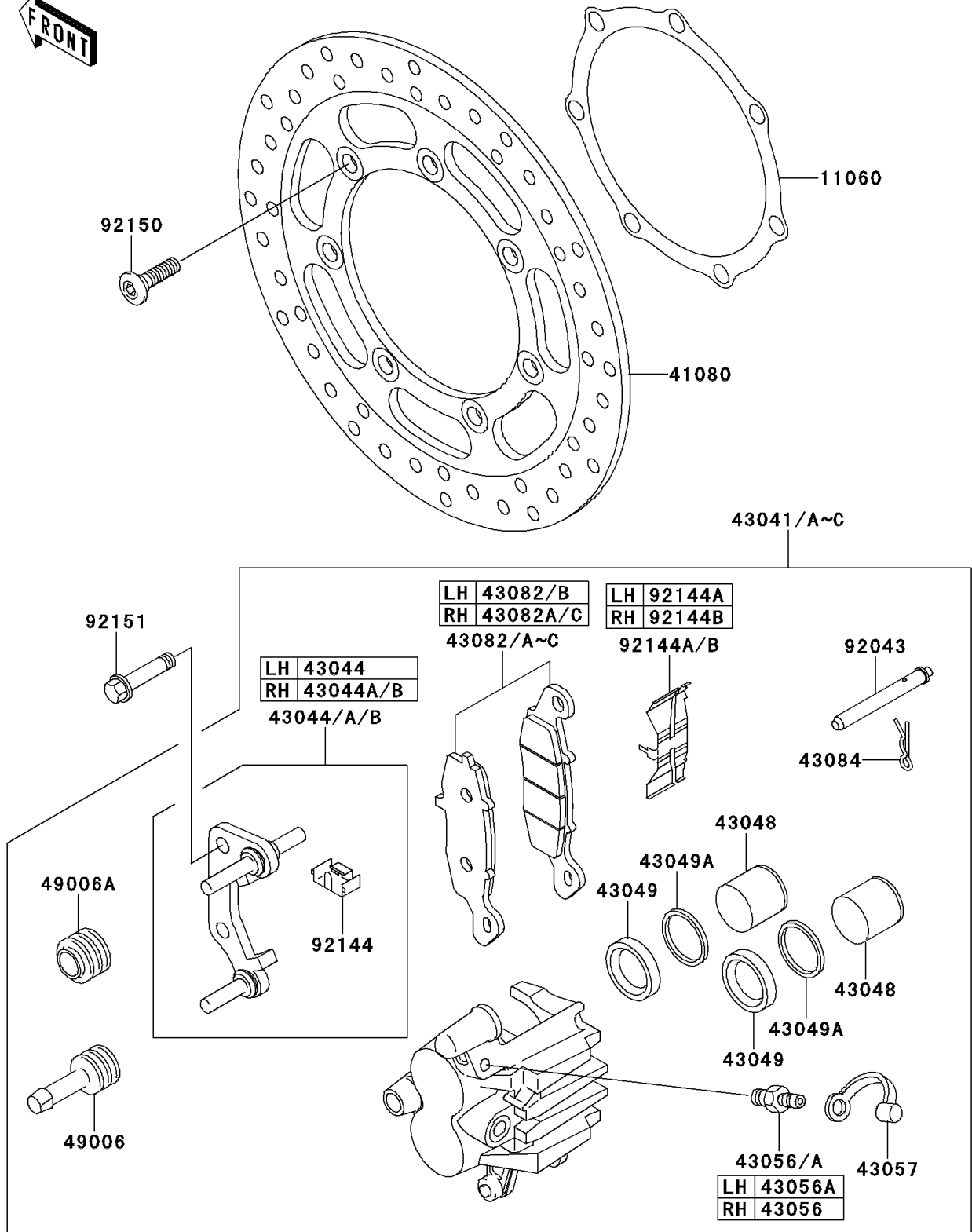


2000 Vulcan 1500 Nomad PARTS DIAGRAM

Front Brake

F2292



2000 Vulcan 1500 Nomad PARTS LIST

Front Brake

ITEM NAME	PART NUMBER	QUANTITY
GASKET,DISC (Ref # 11060)	11060-1865	2
DISC,FR,SILVER (Ref # 41080)	41080-1447-CM	2
CALIPER-ASSY,FR,LH,SILVER (Ref # 43041B)	43041-1715-GN	1
CALIPER-ASSY,FR,RH,SILVER (Ref # 43041C)	43041-1716-GN	1
HOLDER-COMP-CALIPER,FR (Ref # 43044)	43044-1117	1
HOLDER-COMP-CALIPER,RR (Ref # 43044B)	43044-1129	1
PISTON-CALIPER (Ref # 43048)	43048-1052	4
PACKING,PISTON SEAL (Ref # 43049)	43049-1054	4
PACKING,PISTON (Ref # 43049A)	43049-1055	4
BREATHER (Ref # 43056)	43056-003	1
BREATHER-BRAKE (Ref # 43056A)	43056-1054	1
CAP-BREATHER (Ref # 43057)	43057-003	2
PAD-ASSY-BRAKE (Ref # 43082B)	43082-1245	1
PAD-ASSY-BRAKE (Ref # 43082C)	43082-1246	1
CLAMP,PAD (Ref # 43084)	43084-003	2
BOOT,CALIPER (Ref # 49006)	49006-1054	2
BOOT,CALIPER (Ref # 49006A)	49006-1095	2
PIN,PAD (Ref # 92043)	92043-1489	2
SPRING,STOPPER (Ref # 92144)	92144-1831	2
SPRING,PAD,LH (Ref # 92144A)	92144-1832	1
SPRING,PAD,RH (Ref # 92144B)	92144-1844	1
BOLT,SOCKET,8X30 (Ref # 92150)	92150-1771	14
BOLT,FLANGED,10X47 (Ref # 92151)	92151-1321	4