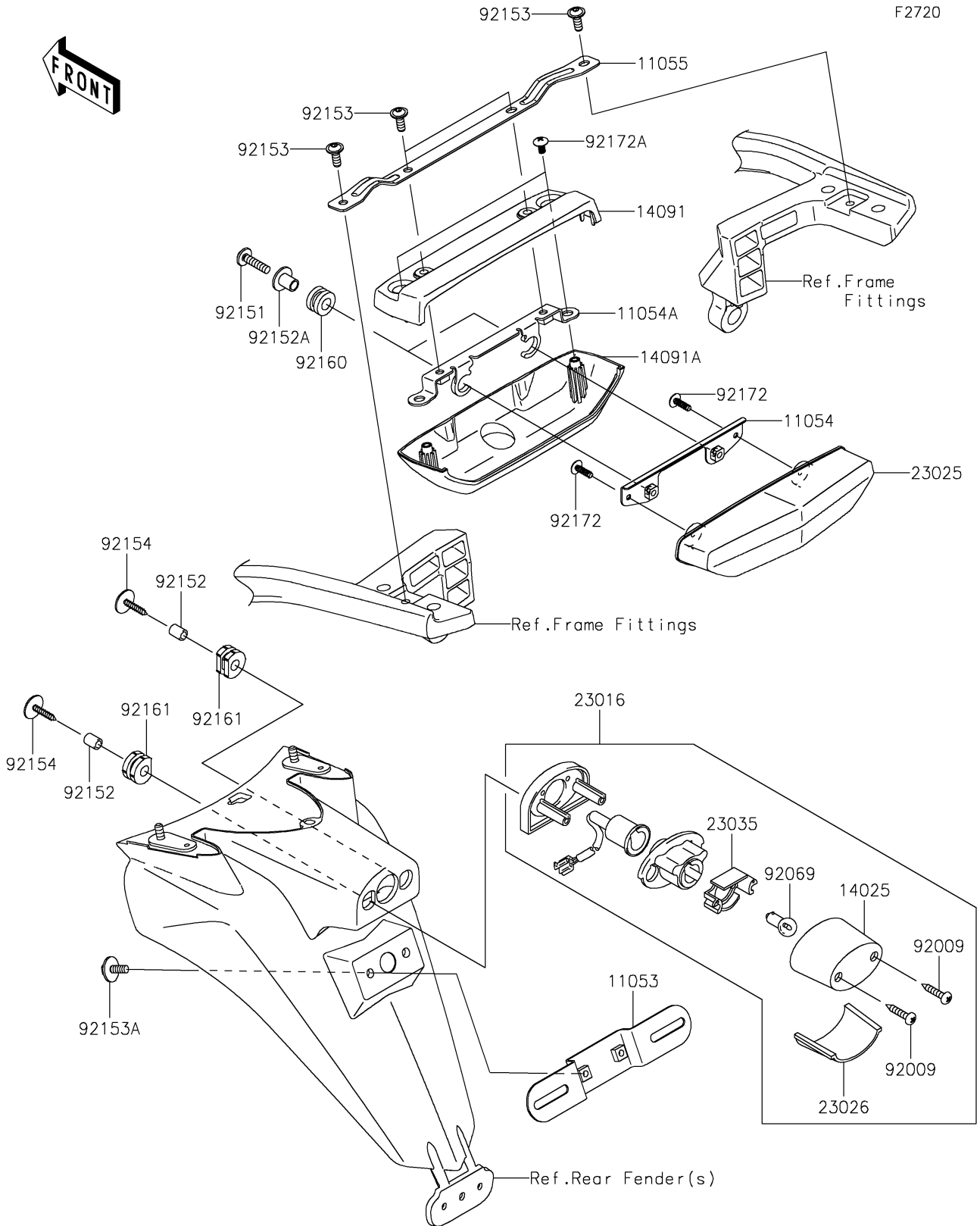


2021 CONCOURS®14 ABS PARTS DIAGRAM

Taillight(s)



2021 CONCOURS®14 ABS PARTS LIST

Taillight(s)

ITEM NAME	PART NUMBER	QUANTITY
BRACKET,LICENSE (Ref # 11053)	11053-0400	1
BRACKET,TAIL LAMP (Ref # 11054)	11054-0883	1
BRACKET (Ref # 11054A)	11054-1199	1
BRACKET,TAIL LAMP COVER (Ref # 11055)	11055-0323	1
COVER,LICENSE LAMP (Ref # 14025)	14025-1725	1
COVER,TAIL LAMP,UPP (Ref # 14091)	14091-0894	1
COVER,TAIL LAMP,LWR (Ref # 14091A)	14091-0895	1
LAMP-ASSY,LICENSE (Ref # 23016)	23016-0565	1
LAMP-TAIL (Ref # 23025)	23025-0035	1
LENS,LICENSE LAMP (Ref # 23026)	23026-0021	1
REFLECTOR-LAMP,LICENSE (Ref # 23035)	23035-1066	1
SCREW,TAPPING,4X20 (Ref # 92009)	92009-1378	2
BULB,12V 5W (Ref # 92069)	92069-1055	1
BOLT,SOCKET,6X25 (Ref # 92151)	92151-1611	2
COLLAR,6X9X11.5 (Ref # 92152)	92152-0372	2
COLLAR (Ref # 92152A)	92152-0666	2
BOLT,SOCKET,6X16 (Ref # 92153)	92153-0817	4
BOLT,6X16 (Ref # 92153A)	92153-1423	2
BOLT,TAPPING,WASHER,5X25 (Ref # 92154)	92154-0261	2
DAMPER,10X20X12 (Ref # 92160)	92160-1167	2
DAMPER (Ref # 92161)	92161-0776	2
SCREW,TAPPING,5X16 (Ref # 92172)	92172-0175	2
SCREW,TAPPING,5X10 (Ref # 92172A)	92172-0262	2