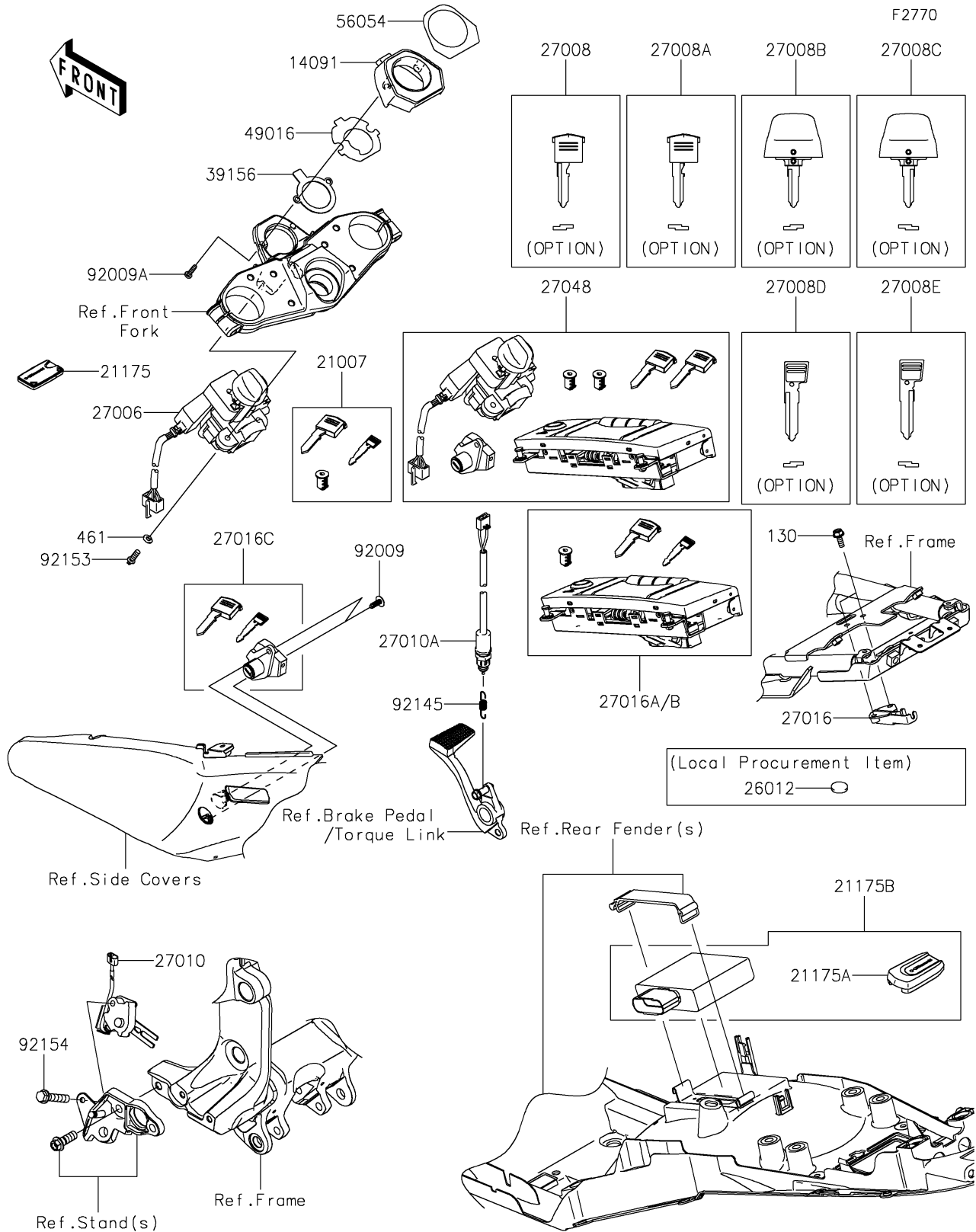


# 2021 CONCOURS®14 ABS PARTS DIAGRAM

Ignition Switch/Locks/Reflectors



# 2021 CONCOURS®14 ABS PARTS LIST

Ignition Switch/Locks/Reflectors

ITEM NAME	PART NUMBER	QUANTITY
-----------	-------------	----------