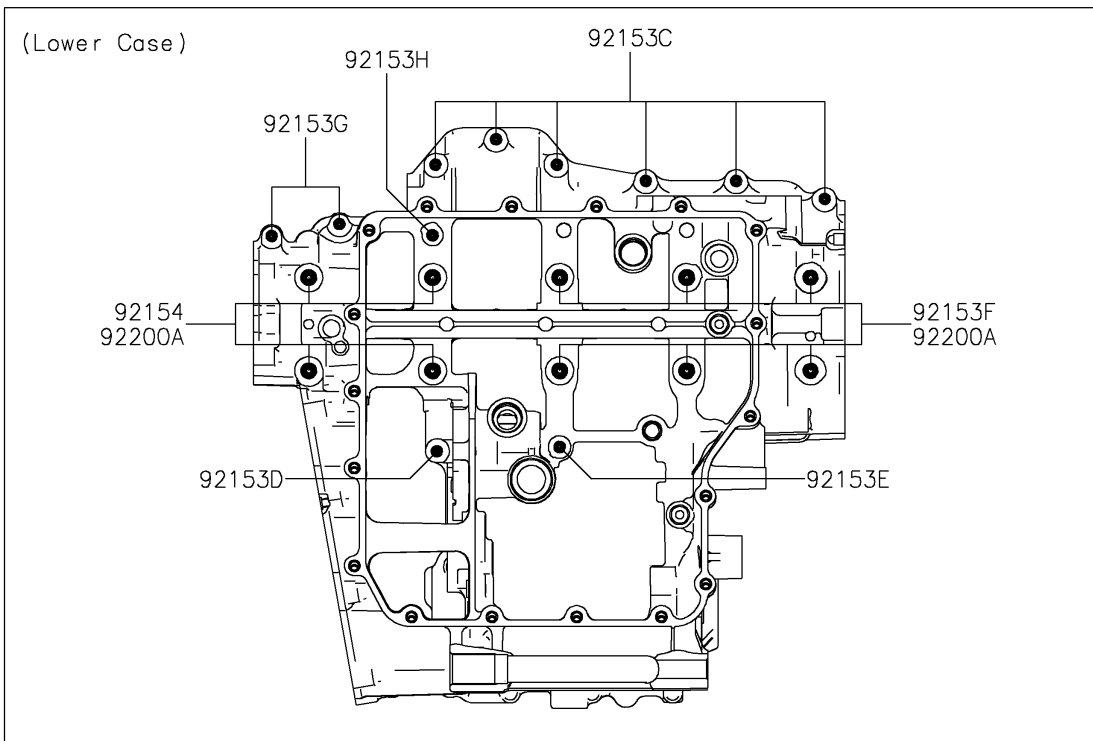
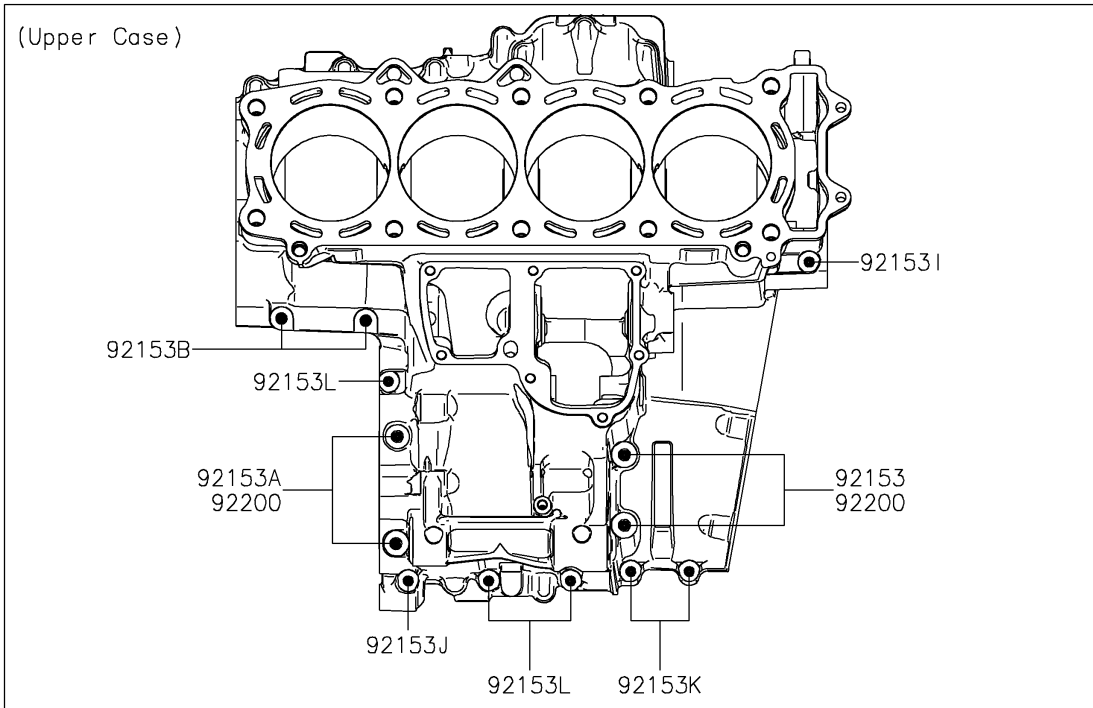


2022 Concours®14 ABS PARTS DIAGRAM

Crankcase Bolt Pattern

E1412



2022 Concours®14 ABS PARTS LIST

Crankcase Bolt Pattern

ITEM NAME	PART NUMBER	QUANTITY
-----------	-------------	----------