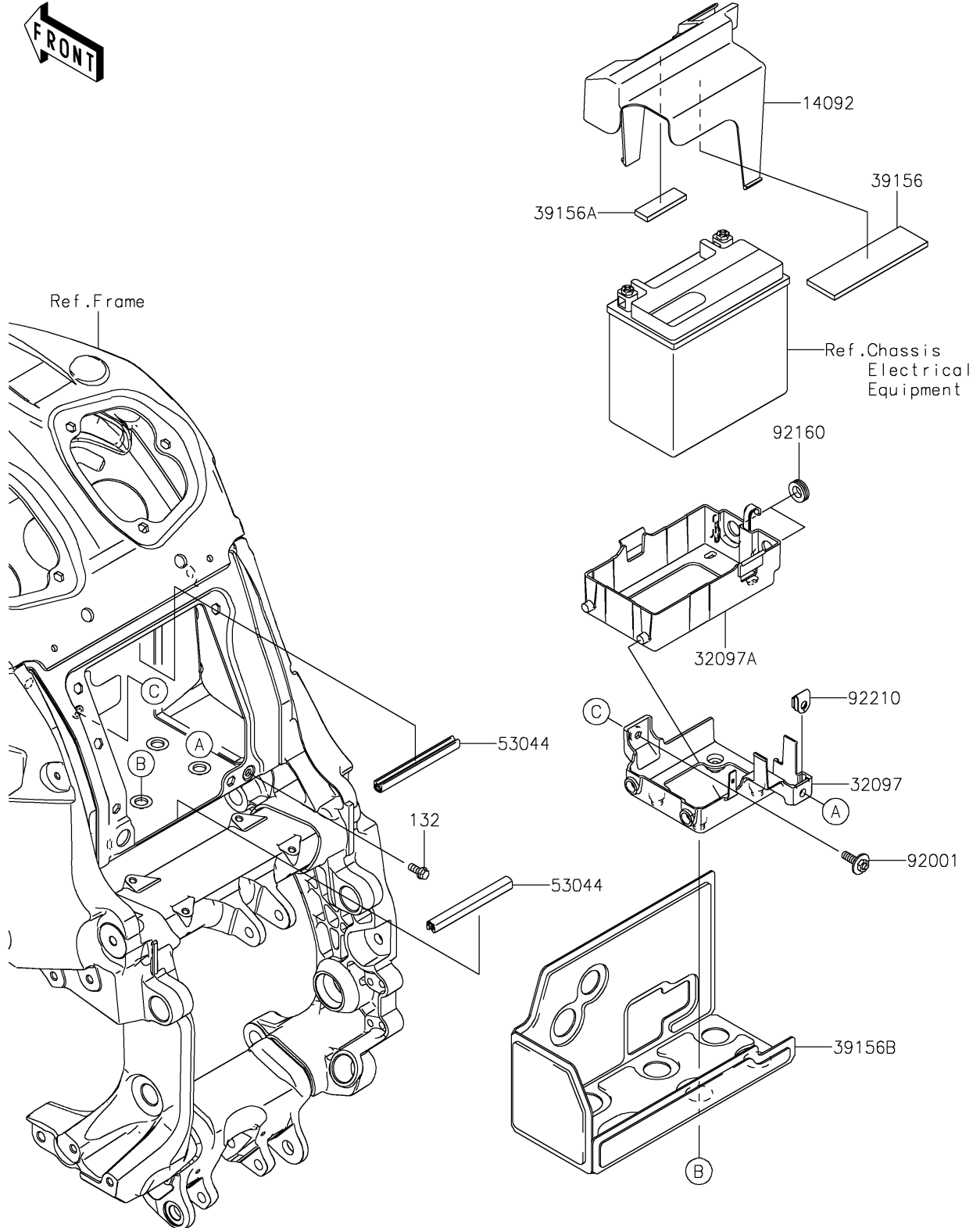


2022 Concours®14 ABS PARTS DIAGRAM

Battery Case

F2132



2022 Concours®14 ABS PARTS LIST

Battery Case

ITEM NAME	PART NUMBER	QUANTITY
COVER,BATTERY,UPP (Ref # 14092)	14092-0034	1
CASE-BATTERY (Ref # 32097)	32097-0012	1
CASE-BATTERY (Ref # 32097A)	32097-0032	1
PAD,BATTERY,UPP (Ref # 39156)	39156-0536	1
PAD,BATTERY,BACK (Ref # 39156A)	39156-0537	1
PAD,BATTERY BOX (Ref # 39156B)	39156-0602	1
TRIM,L=100 (Ref # 53044)	53044-1200	2
BOLT,UPSET-WP,6X22 (Ref # 92001)	92001-1774	1
DAMPER (Ref # 92160)	92160-1278	2
NUT,6MM (Ref # 92210)	92210-0277	1
BOLT-FLANGED-SMALL,6X14 (Ref # 132)	132BA0614	1