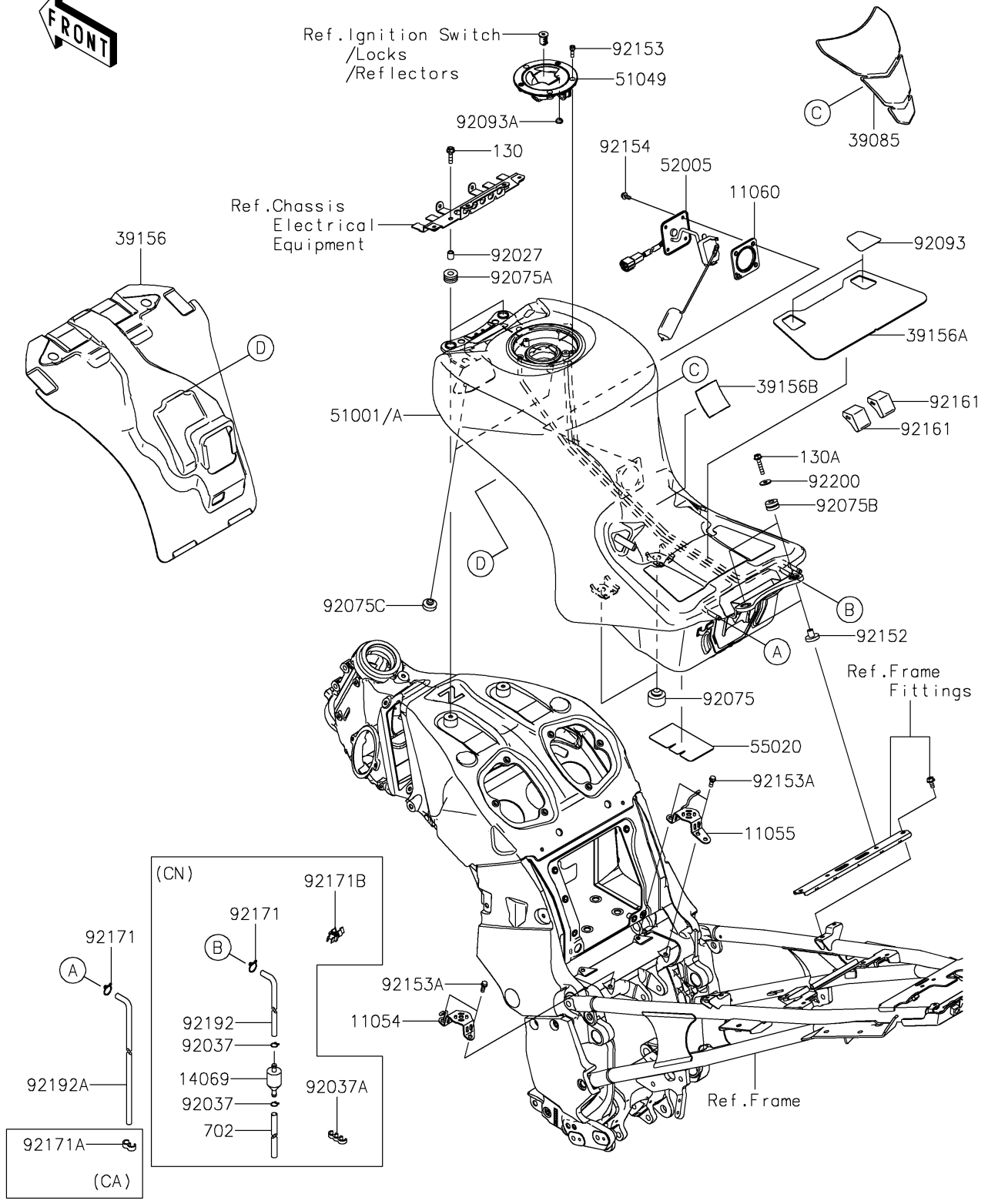


2022 Concours®14 ABS PARTS DIAGRAM

Fuel Tank

F2410



2022 Concours®14 ABS PARTS LIST

Fuel Tank

| ITEM NAME | PART NUMBER | QUANTITY |
|---|----------------|----------|
| BRACKET,FUEL TANK,CNT,LH (Ref # 11054) | 11054-0681 | 1 |
| BRACKET,FUEL TANK,CNT,RH (Ref # 11055) | 11055-0348 | 1 |
| GASKET,FUEL GAUGE (Ref # 11060) | 11060-1952 | 1 |
| BREATHER (Ref # 14069) | 14069-0703 | 1 |
| PAD-TANK (Ref # 39085) | 39085-0011 | 1 |
| PAD (Ref # 39156) | 39156-0794 | 1 |
| PAD,FUEL TANK (Ref # 39156A) | 39156-0863 | 1 |
| PAD,50X50X3 (Ref # 39156B) | 39156-1878 | 1 |
| TANK-COMP-FUEL,M.S.BLACK (Ref # 51001) | 51001-0818-660 | 1 |
| TANK-COMP-FUEL,M.S.BLACK (Ref # 51001A) | 51001-0819-660 | 1 |
| CAP-TANK,FUEL (Ref # 51049) | 51049-0744 | 1 |
| GAUGE,FUEL (Ref # 52005) | 52005-0026 | 1 |
| GUARD,FUEL TANK (Ref # 55020) | 55020-0551 | 1 |
| COLLAR,6.8X10X12 (Ref # 92027) | 92027-162 | 2 |
| CLAMP,TUBE (Ref # 92037) | 92037-147 | 2 |
| CLAMP,TUBE (Ref # 92037A) | 92037-1941 | 1 |
| DAMPER (Ref # 92075) | 92075-015 | 2 |
| DAMPER,10X24X12 (Ref # 92075A) | 92075-1690 | 2 |
| DAMPER (Ref # 92075B) | 92075-209 | 2 |
| DAMPER,9X24X14 (Ref # 92075C) | 92075-281 | 2 |
| SEAL (Ref # 92093) | 92093-0583 | 2 |
| SEAL,FUEL TANK CAP (Ref # 92093A) | 92093-1030 | 1 |
| COLLAR (Ref # 92152) | 92152-0364 | 2 |
| BOLT,SOCKET,5X16 (Ref # 92153) | 92153-1616 | 3 |
| BOLT,FLANGED,6X20 (Ref # 92153A) | 92153-1694 | 4 |
| BOLT,FLANGED,5X12 (Ref # 92154) | 92154-1856 | 4 |
| DAMPER (Ref # 92161) | 92161-1481 | 2 |
| CLAMP (Ref # 92171) | 92171-0573 | 1 |
| CLAMP (Ref # 92171A) | 92171-1184 | 1 |

2022 Concours®14 ABS PARTS LIST

Fuel Tank

| ITEM NAME | PART NUMBER | QUANTITY |
|----------------------------------|-------------|----------|
| CLAMP (Ref # 92171B) | 92171-1708 | 1 |
| TUBE (Ref # 92192) | 92192-0611 | 1 |
| TUBE,DRAIN (Ref # 92192A) | 92192-0693 | 1 |
| WASHER,6.5X20X1.6 (Ref # 92200) | 92200-0283 | 2 |
| BOLT-FLANGED,6X25 (Ref # 130) | 130BA0625 | 2 |
| BOLT-FLANGED,6X30 (Ref # 130A) | 130BA0630 | 2 |
| TUBE-RUBBER,7X10X200 (Ref # 702) | 702A07200 | 1 |
| CLAMP (Ref # 92171) | 92171-0573 | 2 |