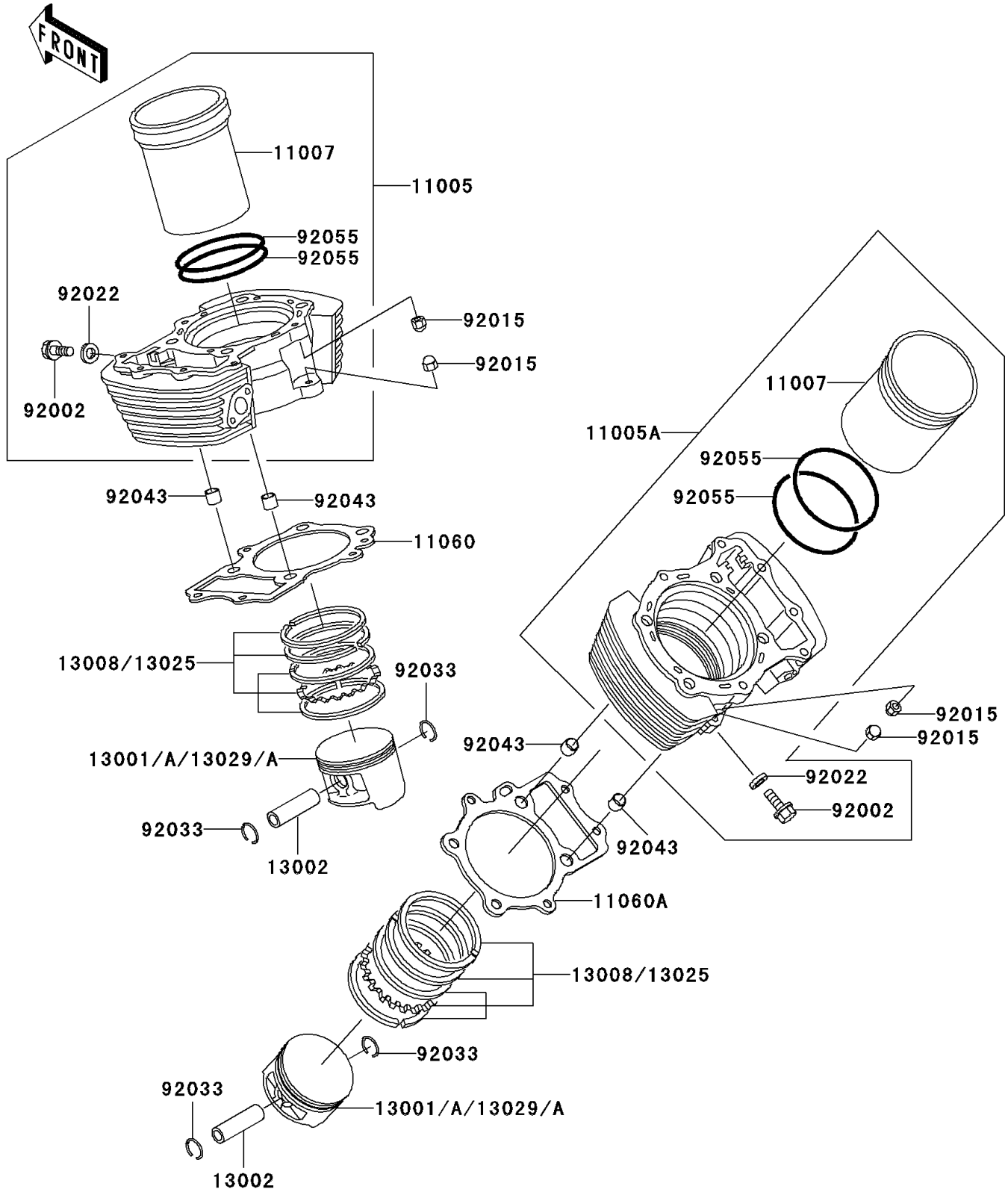


# 1999 Vulcan 1500 Drifter PARTS DIAGRAM

Cylinder/Piston(s)

E1120



# 1999 Vulcan 1500 Drifter PARTS LIST

## Cylinder/Piston(s)

| ITEM NAME                                | PART NUMBER | QUANTITY |
|--|-------------|----------|
| CYLINDER-ENGINE,FR (Ref # 11005)         | 11005-1892  | 1        |
| CYLINDER-ENGINE,RR (Ref # 11005A)        | 11005-1894  | 1        |
| LINER-CYLINDER (Ref # 11007)             | 11007-1097  | 2        |
| GASKET,CYLINDER BASE,FR (Ref # 11060)    | 11060-1737  | 1        |
| GASKET,CYLINDER BASE,RR (Ref # 11060A)   | 11060-1738  | 1        |
| PISTON-ENGINE,STD (Ref # 13001)          | 13001-1530  | 2        |
| PIN-PISTON (Ref # 13002)                 | 13002-1107  | 2        |
| RING-SET-PISTON,STD (Ref # 13008)        | 13008-1172  | 2        |
| RING-SET-PISTON L,O/S 0.50 (Ref # 13025) | 13025-1081  | AR       |
| PISTON-ENGINE L,O/S 0.50 (Ref # 13029A)  | 13029-1281  | AR       |
| BOLT,6X12 (Ref # 92002)                  | 92002-1569  | 2        |
| NUT,CAP,8MM (Ref # 92015)                | 92015-1370  | 8        |
| WASHER,6.1X12X1 (Ref # 92022)            | 92022-077   | 2        |
| RING-SNAP (Ref # 92033)                  | 92033-1226  | 4        |
| PIN,13X16X14 (Ref # 92043)               | 92043-1608  | 4        |
| RING-O,110.5X2.5 (Ref # 92055)           | 92055-1371  | 4        |