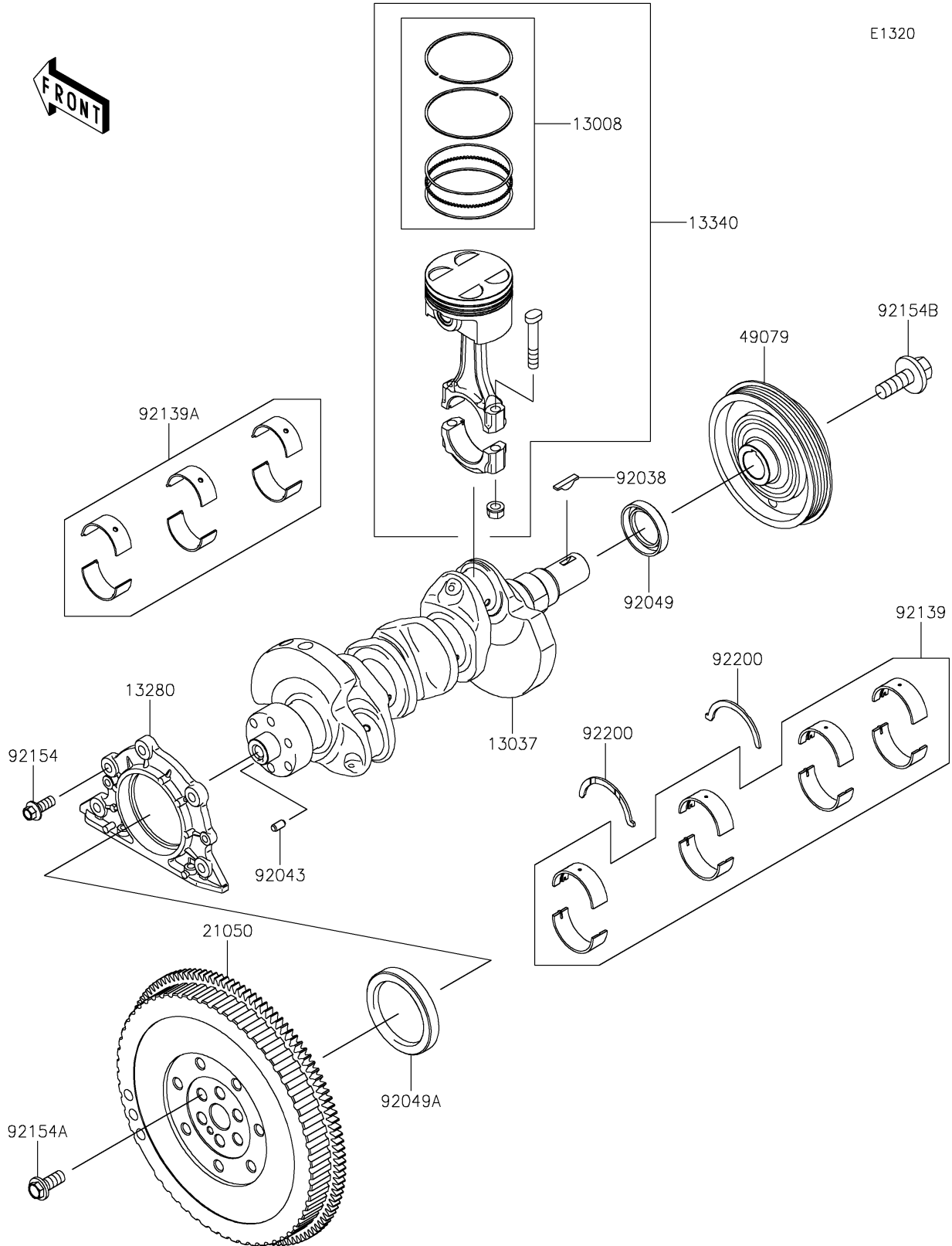


# 2022 MULE PRO-FX™ EPS PARTS DIAGRAM

Crankshaft/Piston(s)



# 2022 MULE PRO-FX™ EPS PARTS LIST

Crankshaft/Piston(s)

ITEM NAME	PART NUMBER	QUANTITY
-----------	-------------	----------