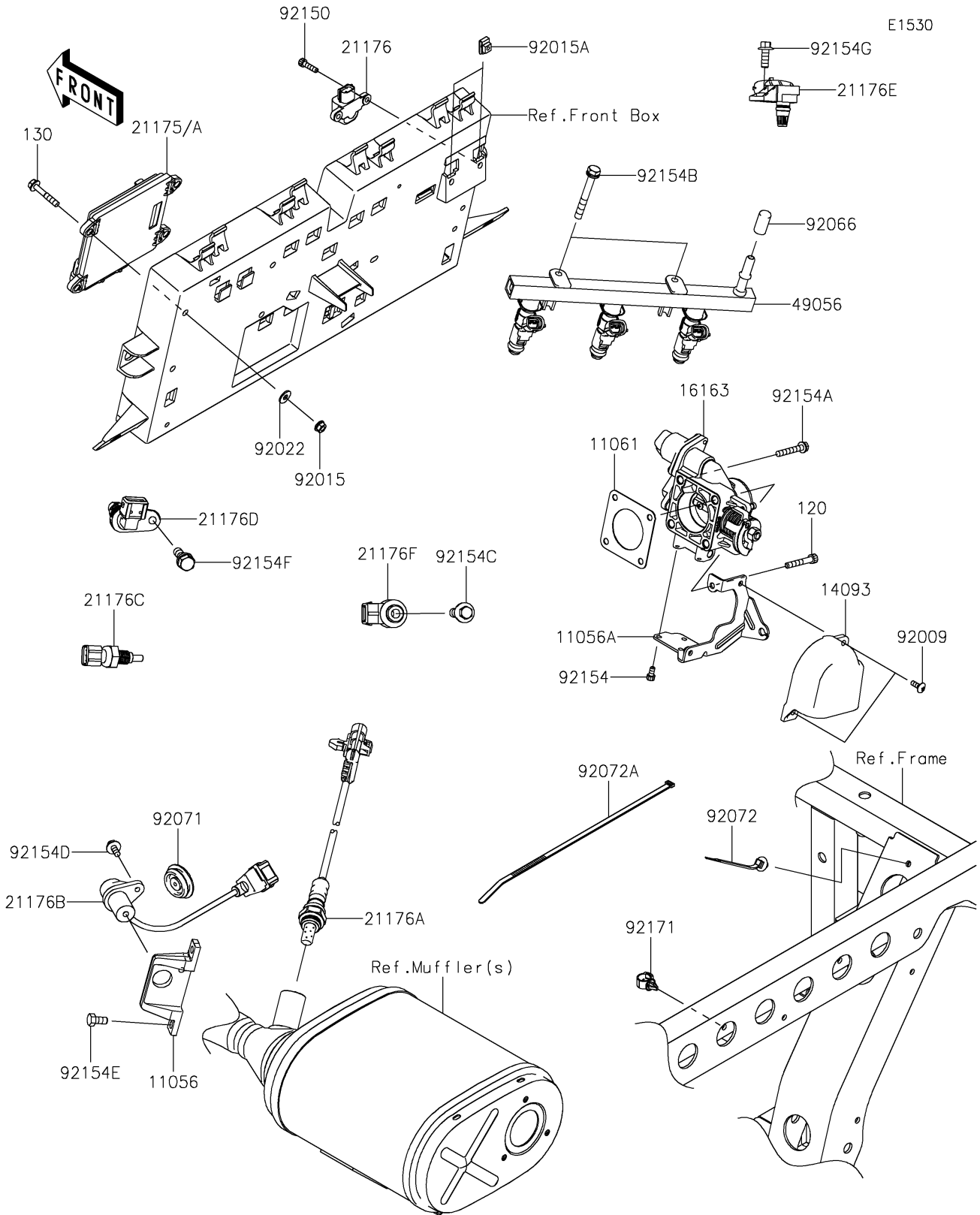


# 2022 MULE PRO-FX™ EPS PARTS DIAGRAM

## Fuel Injection



# 2022 MULE PRO-FX™ EPS PARTS LIST

Fuel Injection

ITEM NAME	PART NUMBER	QUANTITY
-----------	-------------	----------