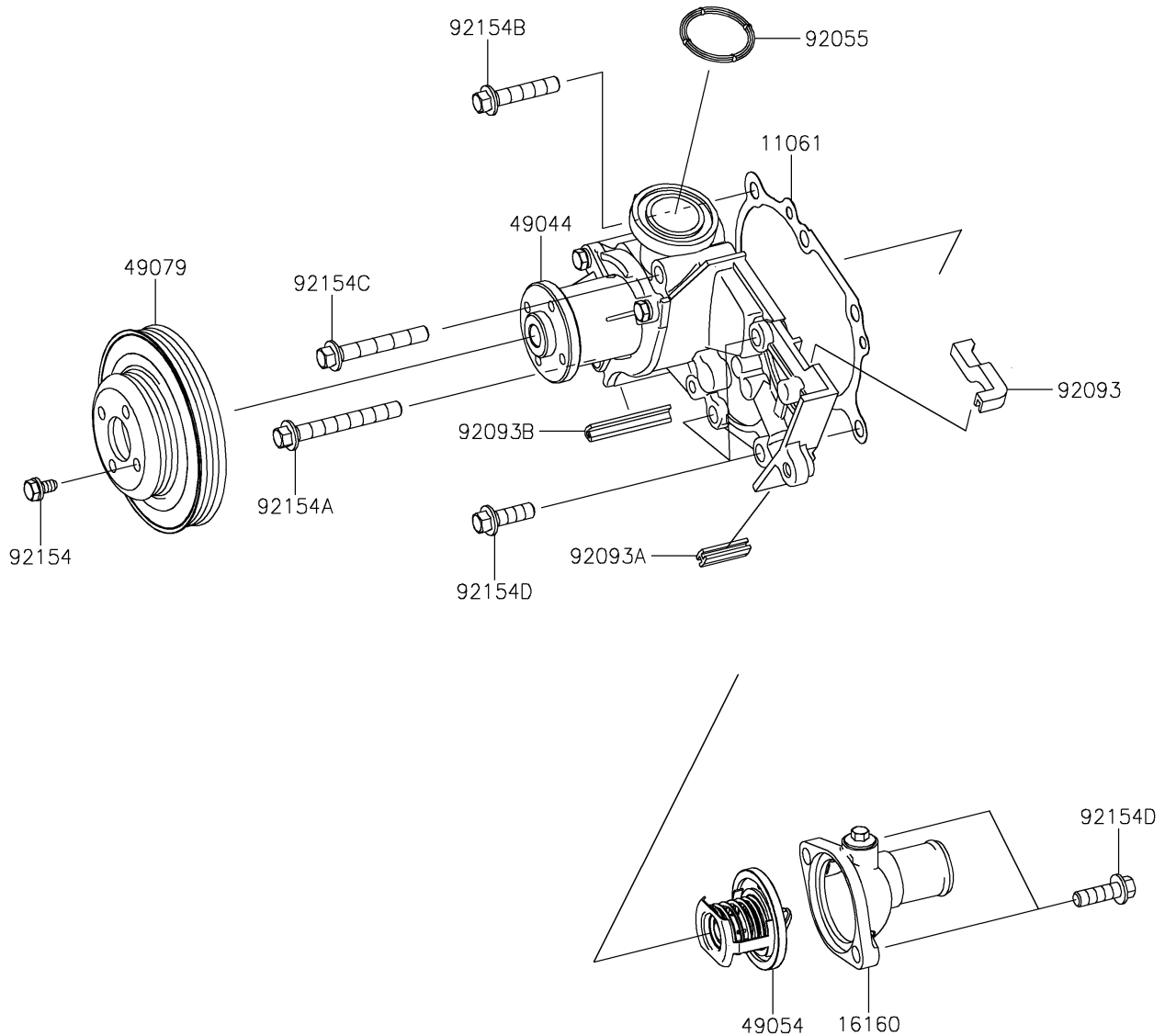


2022 MULE PRO-FX™ EPS PARTS DIAGRAM

Water Pump

E3031



2022 MULE PRO-FX™ EPS PARTS LIST

Water Pump

ITEM NAME	PART NUMBER	QUANTITY
-----------	-------------	----------