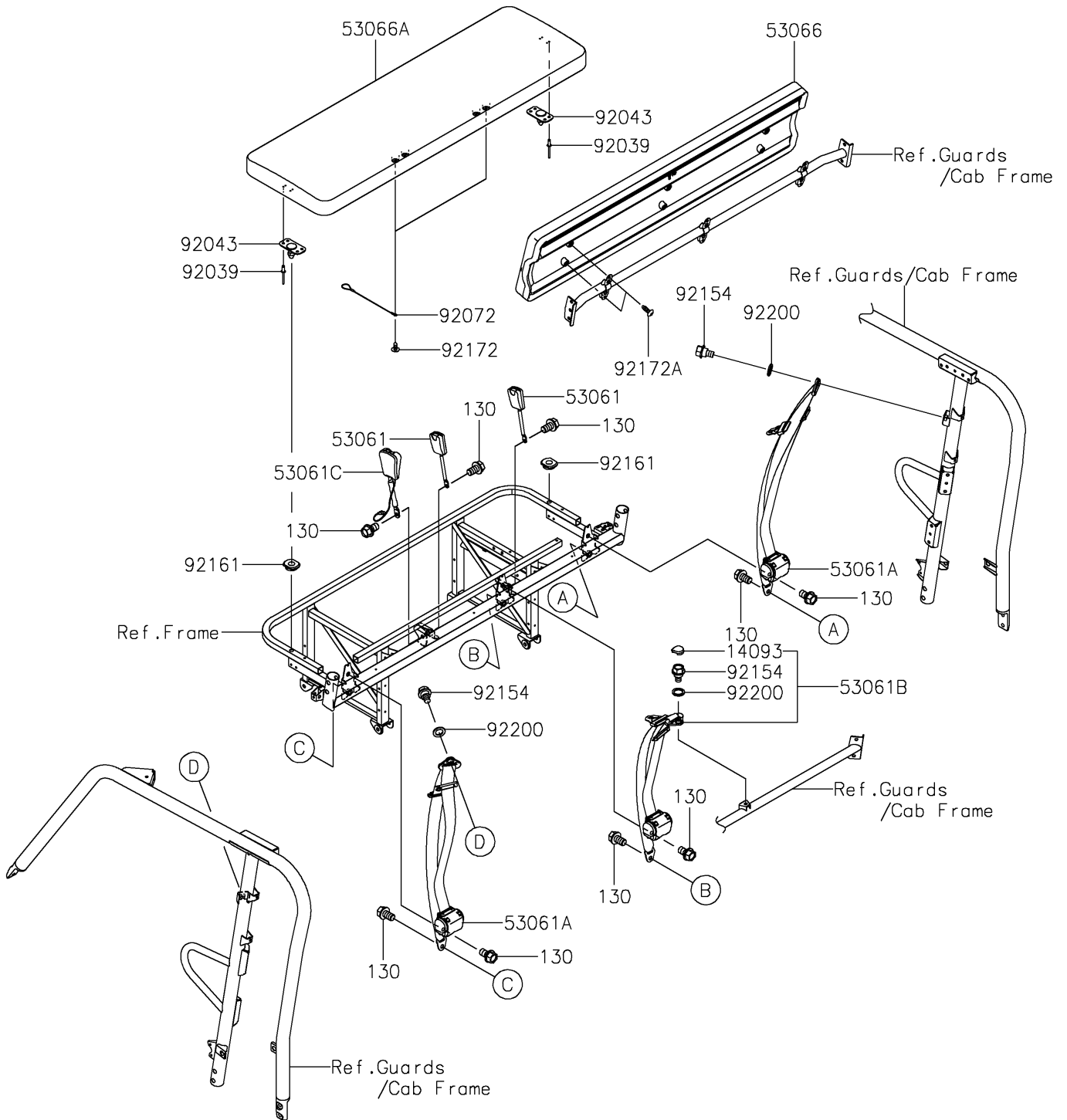


# 2021 MULE PRO-FX™ EPS PARTS DIAGRAM

Seat

F2510



## 2021 MULE PRO-FX™ EPS PARTS LIST

### Seat

| ITEM NAME                             | PART NUMBER   | QUANTITY |
|---------------------------------------|---------------|----------|
| COVER,D-RING (Ref # 14093)            | 14093-1037    | 1        |
| BELT-SEAT,BUCKLE (Ref # 53061)        | 53061-0039    | 2        |
| BELT-SEAT,FR,LH&RH (Ref # 53061A)     | 53061-0340    | 2        |
| BELT-SEAT,MIDDLE (Ref # 53061B)       | 53061-0341    | 1        |
| BELT-SEAT,BUCKLE,SW. (Ref # 53061C)   | 53061-0364    | 1        |
| SEAT-ASSY,BACK,BLACK (Ref # 53066)    | 53066-0742-MA | 1        |
| SEAT-ASSY,BOTTOM,BLACK (Ref # 53066A) | 53066-0743-MA | 1        |
| RIVET (Ref # 92039)                   | 92039-0747    | 8        |
| PIN (Ref # 92043)                     | 92043-0859    | 2        |
| BAND (Ref # 92072)                    | 92072-0769    | 2        |
| BOLT,FLANGED,10X19.5 (Ref # 92154)    | 92154-1959    | 3        |
| DAMPER,10.5X30X8.2 (Ref # 92161)      | 92161-1784    | 2        |
| SCREW,6X16 (Ref # 92172)              | 92172-0284    | 2        |
| SCREW,TAPPING,6X20 (Ref # 92172A)     | 92172-0488    | 6        |
| WASHER,16X22X2 (Ref # 92200)          | 92200-1798    | 3        |
| BOLT-FLANGED,12X20 (Ref # 130)        | 130BA1220     | 9        |