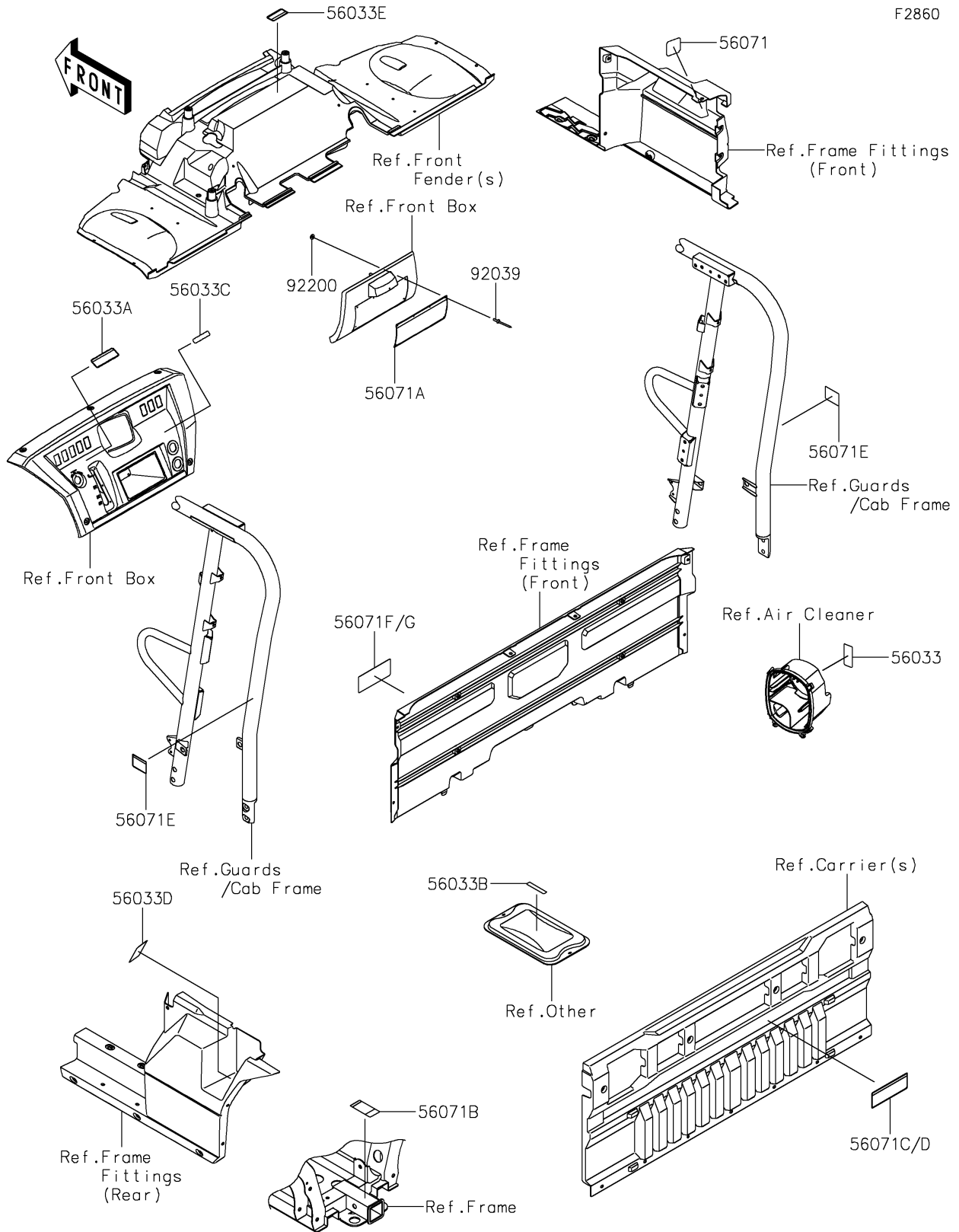


# 2022 MULE PRO-FX™ EPS PARTS DIAGRAM

Labels



## 2022 MULE PRO-FX™ EPS PARTS LIST

### Labels

ITEM NAME	PART NUMBER	QUANTITY
LABEL-MANUAL,AIR CLEANER (Ref # 56033)	56033-0724	1
LABEL-MANUAL,SHIFT NOTICE (Ref # 56033A)	56033-0822	1
LABEL-MANUAL,STORAGE MAX LOAD (Ref # 56033B)	56033-0966	1
LABEL-MANUAL,DC OUTLET (Ref # 56033C)	56033-0997	1
LABEL-MANUAL,DRIVE BELT (Ref # 56033D)	56033-1000	1
LABEL-MANUAL,FRONT HOOD (Ref # 56033E)	56033-1379	1
LABEL-WARNING,GASOLINE (Ref # 56071)	56071-0588	1
LABEL-WARNING,GENERAL (Ref # 56071A)	56071-0710	1
LABEL-WARNING,TRAILER HITCH (Ref # 56071B)	56071-0711	1
LABEL-WARNING,CARGO CAPA. (Ref # 56071C)	56071-0715	1
LABEL-WARNING,CARGO CAPA. (Ref # 56071D)	56071-0716	1
LABEL-WARNING,BED OPERATION (Ref # 56071E)	56071-0718	2
LABEL-WARNING,TIRE&LOAD (Ref # 56071F)	56071-0719	1
LABEL-WARNING,TIRE&LOAD (Ref # 56071G)	56071-0721	1
RIVET,3.2X8 (Ref # 92039)	92039-3763	6
WASHER,3.5X8X1 (Ref # 92200)	92200-1251	6